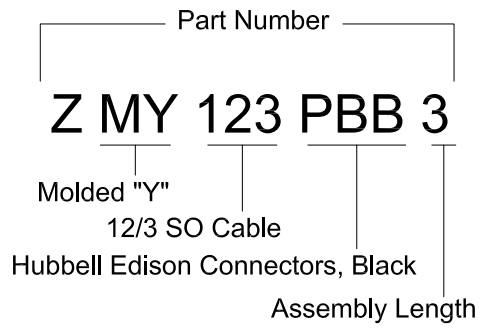
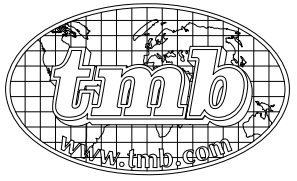
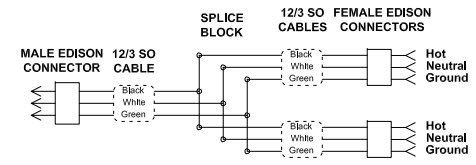


PART NUMBERING



ELECTRICAL SCHEMATIC



527 Park Avenue
 San Fernando, CA 91340
 Tel: +1 818.899.8818
 Fax: +1 818.899.8813
 Email: tmb-info@tmb.com

Part #: ZMY123PBB3

Submittal Drawing
Edison Molded Black Threefer
 Not To Scale
 Date - 09/26/19