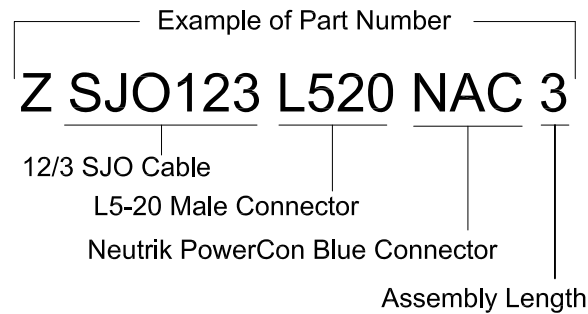
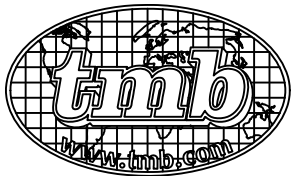
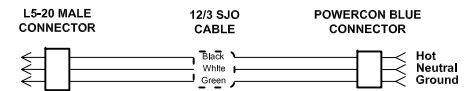


PART NUMBERING



ELECTRICAL SCHEMATIC



527 Park Avenue
 San Fernando, CA 91340
 Tel: +1 818.899.8818
 Fax: +1 818.899.8813
 Email: tmb-info@tmb.com

Part #: ZSJO123L520NAC__

Submittal Drawing
L5-20 to PowerCon Assembly

Not To Scale
 Date - 03/06/20