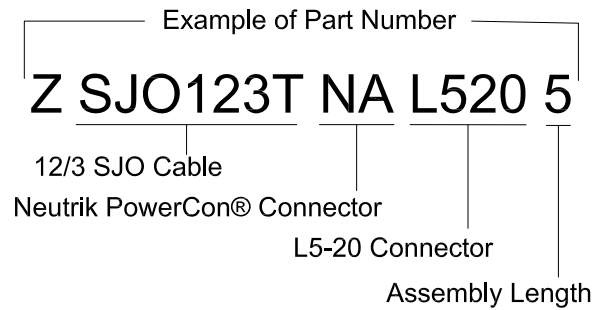
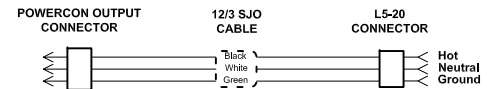


### PART NUMBERING



### ELECTRICAL SCHEMATIC



527 Park Avenue  
San Fernando, CA 91340  
Tel: +1 818.899.8818  
Fax: +1 818.899.8813  
Email: tmb-info@tmb.com

Part #: ZSJO123TNAL5205

**Submission Drawing**  
**PowerCon® to L5-20**  
**Adapter**  
Not To Scale  
Date - 02/02/17