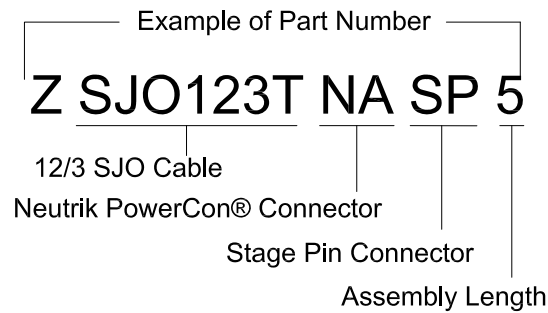
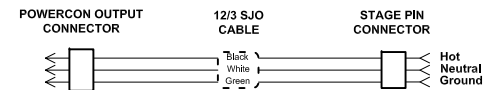


PART NUMBERING



ELECTRICAL SCHEMATIC



527 Park Avenue
San Fernando, CA 91340
Tel: +1 818.899.8818
Fax: +1 818.899.8813
Email: tmb-info@tmb.com

Part #: ZSJO123TNASP5

Submission Drawing
PowerCon® to Stage
Pin Adapter
Not To Scale
Date - 02/02/17