



Universe Drive DIN Rail Mount

The Leader in Touring Technology, Now Coming to a Building Near You!



- Drives up to 128 IMS lamps, 64 lamps each output (may vary depending on cable length)
- Configurable for long or short cable lengths and spacings
- Signal transcoding option allows longer cable runs, or lower bit-rate dimming for artistic flexibility
- Phoenix MSTB screw terminals for bare-wire, installation flexibility
- Complete range of DIN Rail Devices and Drives to make a complete system!



Indoor / Outdoor 12" and 24" complete, pre-wired NEMA enclosure kits available



Worldwide Exclusive Distribution

Innovative, Performance-Driven Show Technology Since 1983

tmb.com

Los Angeles
+1 818-899-8818

London
+44 (0)20-8574-9700

New York
+1 201-896-8600

Beijing
+86 10-8492-1587

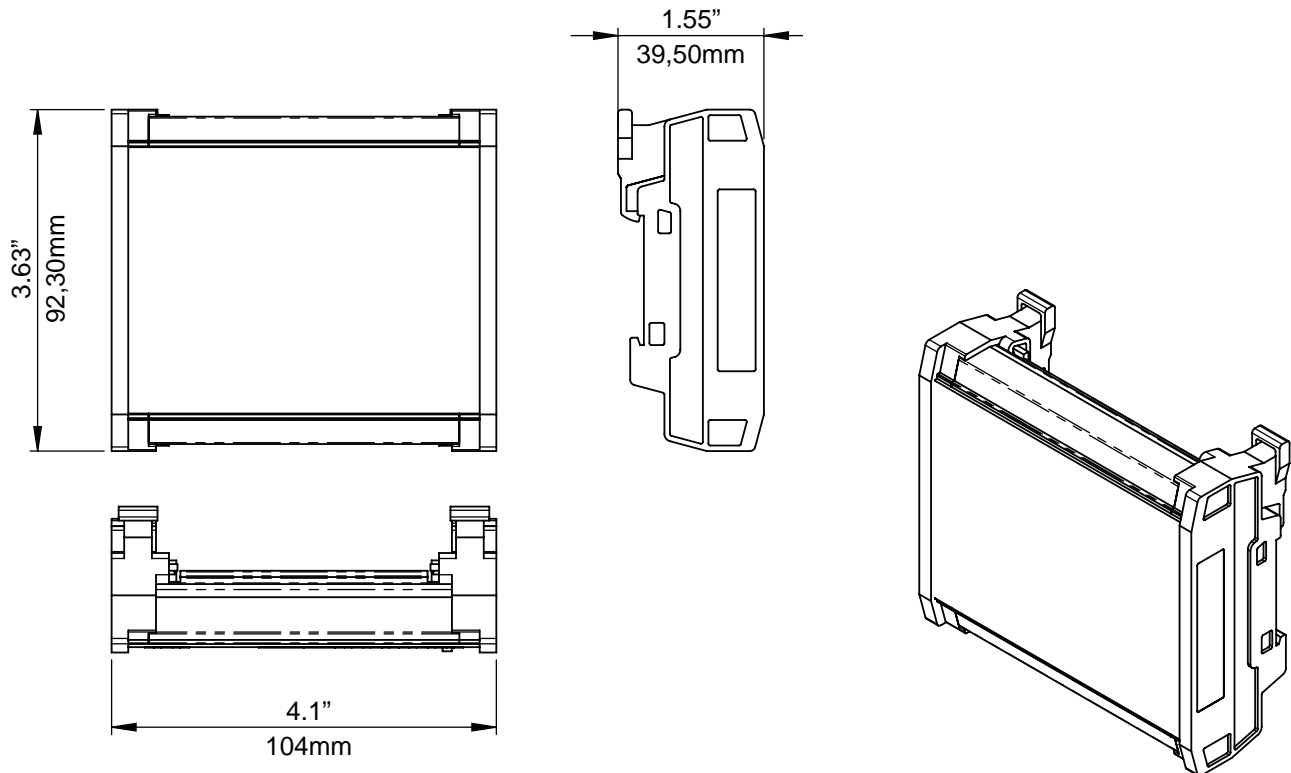
Toronto
+1 519-538-0888



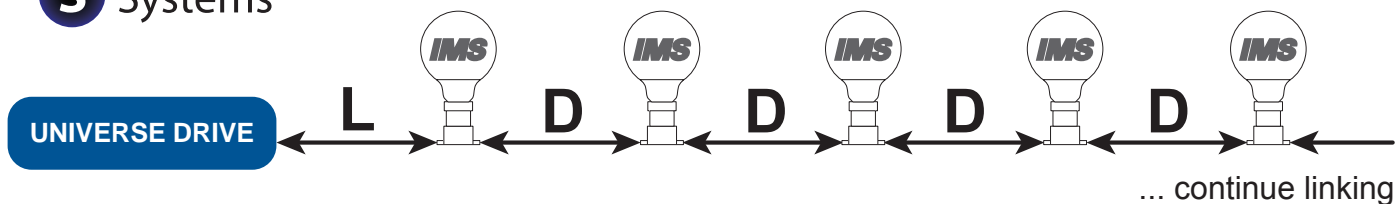
IMS DIN Rail Universe Drive Specifications	
Operating Voltage	24 VDC
Frequency Tolerance	50-60 Hz
Power Consumption	External 250 W PSU required
Number of Outputs	2
Output Voltage	24 VDC
Number of Universes	1
Power Input	Phoenix MSTB 2-terminal ¹
DMX512 Input	Phoenix MSTB 3-terminal ¹
DMX512 Thru	Phoenix MSTB 3-terminal ¹
Power/Data Outputs	2x Phoenix MSTB 2-terminal ¹
Max. Cable Length	246 ft. (75m) to last lamp, max. 64 lamps, using 14 AWG / 2.5 mm ² 2-conductor festoon cable ²
Dimensions (HxWxD)	1.55 x 4.1 x 3.63" [39.5 x 104 x 92.3 mm]
Weight	6.13 oz [174 g]

¹ Included

² See page 3 for Cable Length / Lamp Spacing Tables



Cable Length / Lamp Spacing Tables*



<i>if D = 15 cm</i>		
<i>Cable setting</i>	<i>L</i>	<i>Max.</i>
Short	1 m	64
Medium	5 m	64
Long	20 m	64
Short with transcoding	5 m	64
Medium with transcoding	25 m	64
Long with transcoding	55 m	64

<i>if D = 30 cm</i>		
<i>Cable setting</i>	<i>L</i>	<i>Max.</i>
Short	1 m	51
Medium	5 m	64
Long	10 m	64
Short with transcoding	5 m	64
Medium with transcoding	20 m	64
Long with transcoding	50 m	64

<i>if D = 50 cm</i>		
<i>Cable setting</i>	<i>L</i>	<i>Max.</i>
Short	1 m	41
Medium	1 m	64
Long	10 m	64
Short with transcoding	1 m	62
Medium with transcoding	15 m	64
Long with transcoding	45 m	64

<i>if D = 100 cm</i>		
<i>Cable setting</i>	<i>L</i>	<i>Max.</i>
Short	1 m	30
Medium	1 m	46
Long	1 m	64
Short with transcoding	1 m	45
Medium with transcoding	1 m	64
Long with transcoding	40 m	64

* The above settings are recommended using IMS122CL3 cable. Settings may vary depending on cable type, IMS control data transfer rate, and other conditions. The settings are examples of different scenarios and their tested results.

LEGEND	
	IMS Lamp
<i>Max.</i> 	Max. amount of working lamps
<i>L</i>	Length of cable between Universe Drive and first lamp
<i>D</i>	Distance between lamps (cm)