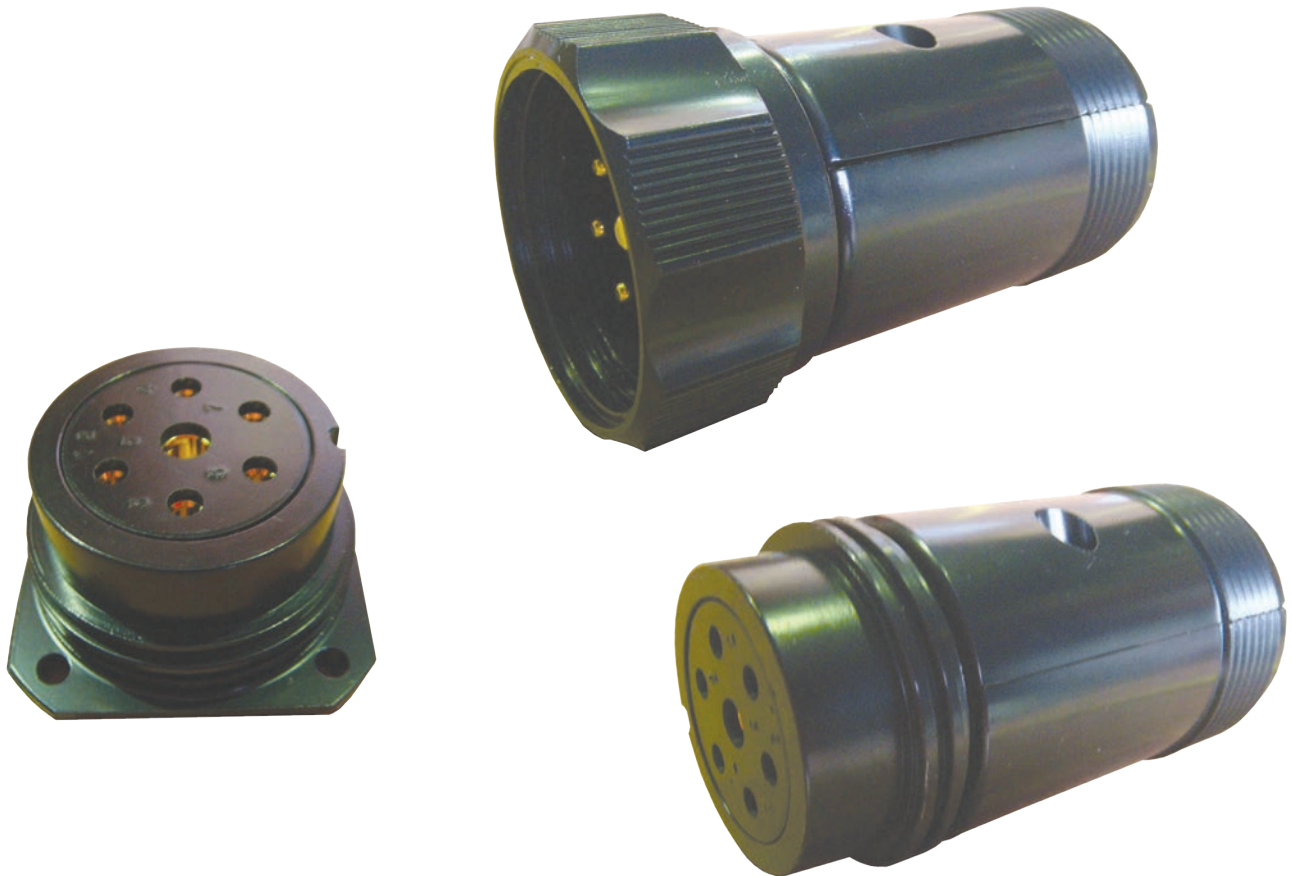




7-Pin Connectors



- Fully compatible with other industry-standard 7-pin motor connectors.
- Rugged die-cast aluminum backshell and machined aluminum locking ring.
- Non-conductive black anodized finish.
- Hard gold-plated contacts.
- Integral compression-type strain relief handles a wide range of cable sizes.
- Extended ground contacts allow make first, break last operation.

Innovative, Performance-Driven Show Technology Since 1983

tmb.com

Los Angeles

London

New York

Beijing

Toronto

+1 818-899-8818

+44 (0)20-8574-9700

+1 201-896-8600

+86 10-8492-1587

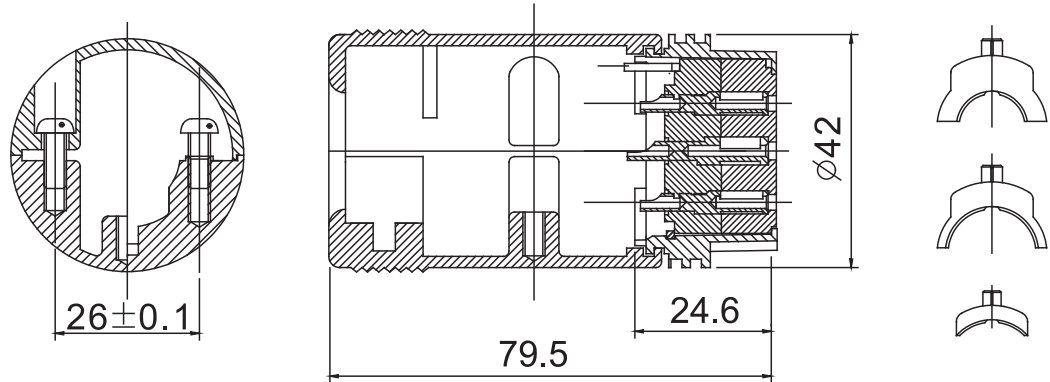
+1 519-538-0888



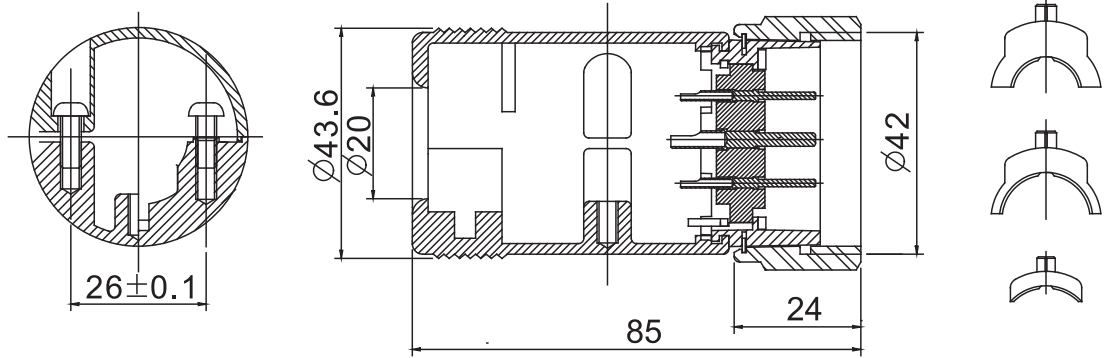


7-Pin Connectors

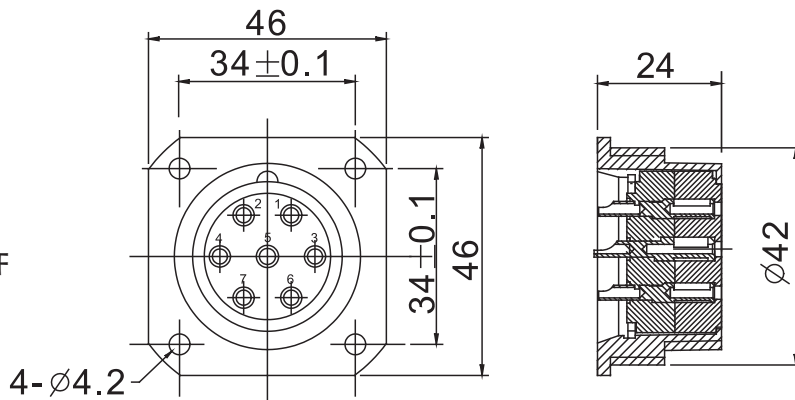
KC07LF



KC07LM



KC07CF



Dimensions in MM

| | |
|--|-------------------|
| Number of Contacts | 6x16AWG + 1x12AWG |
| Contacts Configuration | |
| Rated Current / Voltage | 6x25A+1x50A 250V |
| Operating Limit Voltage (AC. V. rms) | 250VAC |
| Rated Voltage (AC. V. rms) 1 minute | 2000VAC |
| Insulation Resistance (MΩ Min.) at DC 500V | 2000 |
| Contact Resistance (MΩ Min.) at DC 1A | 3 |

| Part Number | Description | Unit Weight |
|-------------|--------------|-------------|
| KC07CF | Panel Female | TBD |
| KC07CM | Panel Male | TBD |
| KC07LF | Line Female | TBD |
| KC07LM | Line Male | TBD |

| | |
|-----------------------|-------------------|
| Operating Temperature | -40 to +85° C |
| Touch Tension | 2 Kg |
| Pressure | 1800 VAC/MIN |
| Terminal Wear | 5000+ Connections |