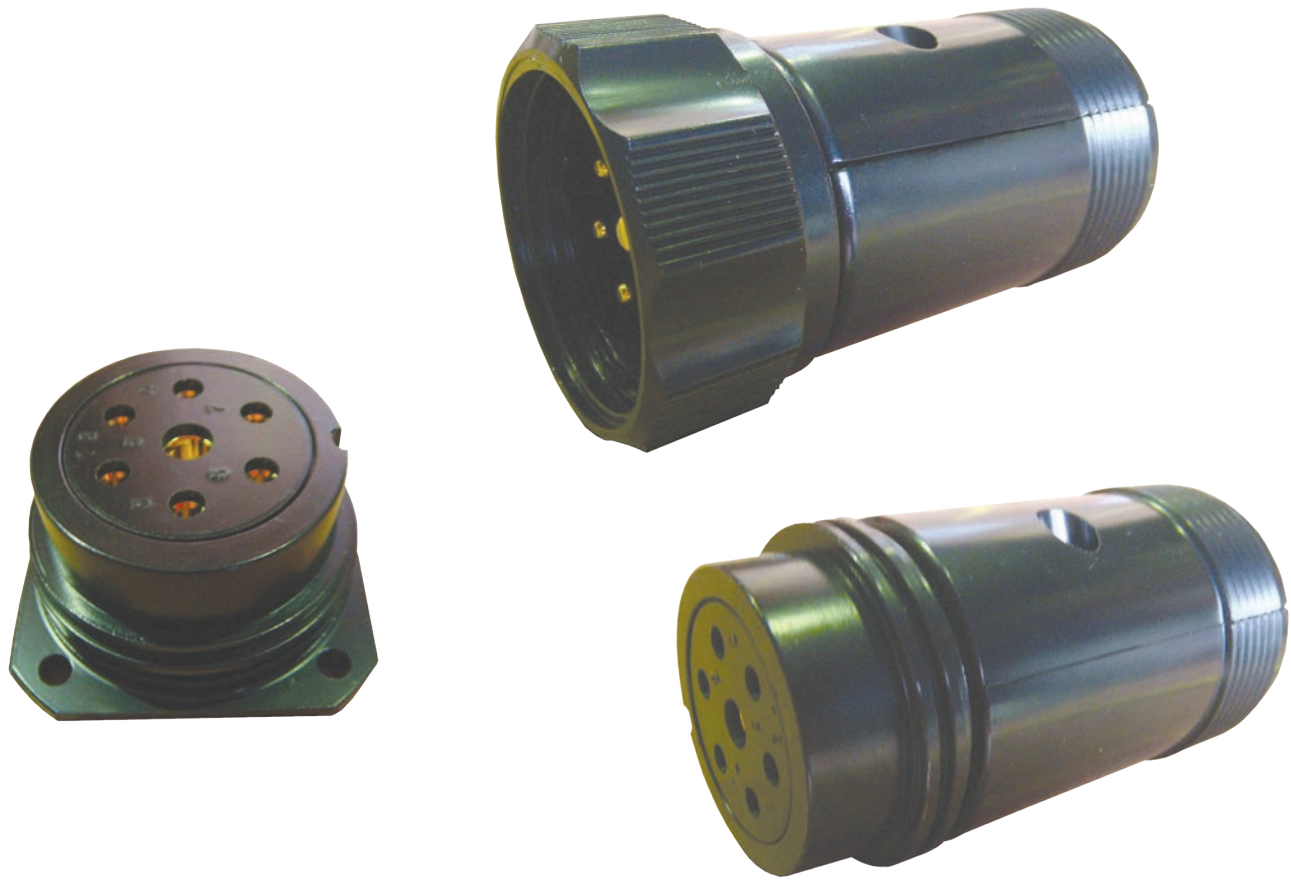




7-Pin Connectors



- Fully compatible with other industry-standard 7-pin motor connectors.
- Rugged die-cast aluminum backshell and machined aluminum locking ring.
- Non-conductive black anodized finish.
- Hard gold-plated contacts.
- Integral compression-type strain relief handles a wide range of cable sizes.
- Extended ground contacts allow make first, break last operation.

Innovative, Performance-Driven Show Technology Since 1983

tmb.com

Los Angeles

+1 818-899-8818

London

+44 (0)20-8574-9700

New York

+1 201-896-8600

Beijing

+86 10-8492-1587

Toronto

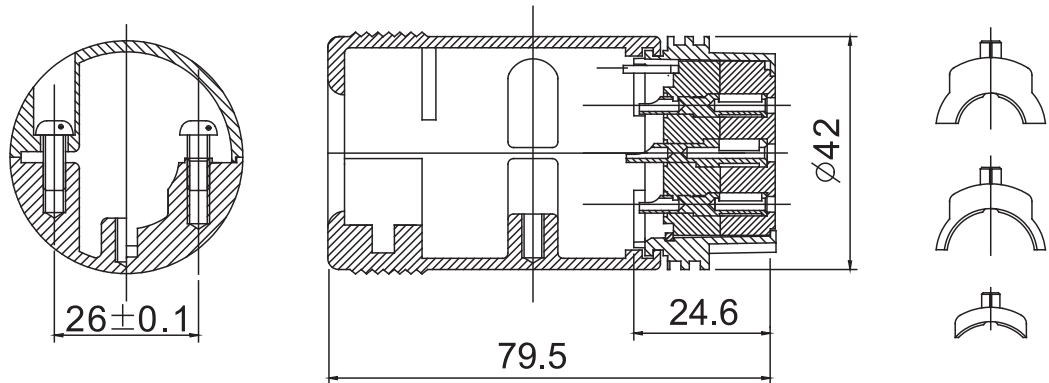
+1 519-538-0888



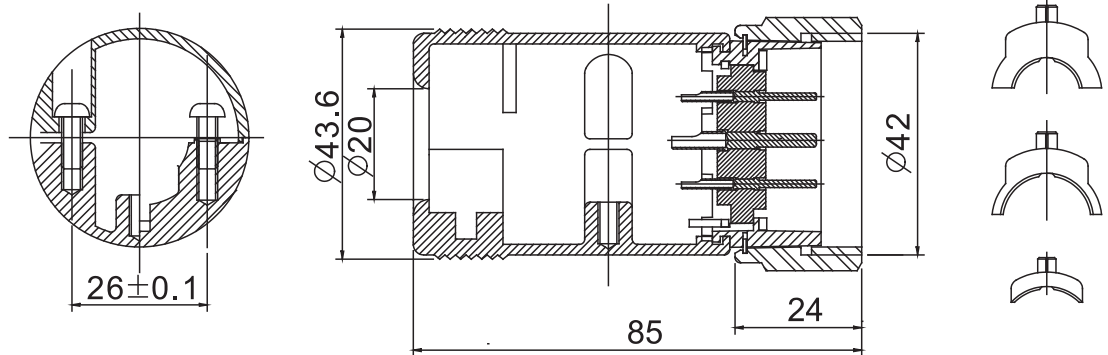


7-Pin Connectors

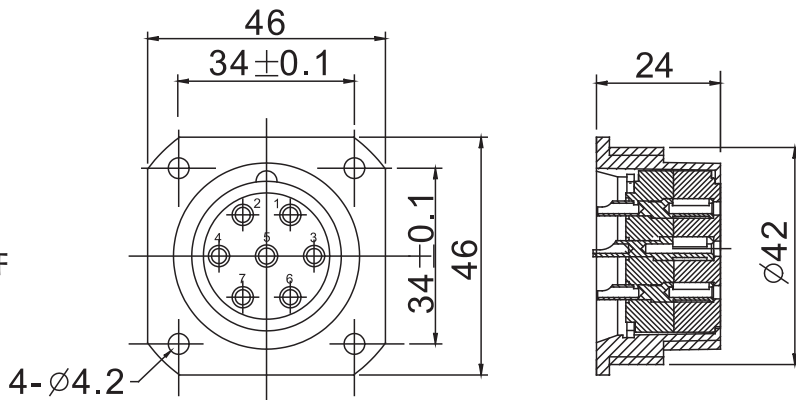
KC07LF



KC07LM



KC07CF



Dimensions in MM

Number of Contacts	6x16AWG + 1x12AWG
Contacts Configuration	
Rated Current / Voltage	6x25A+1x50A 250V
Operating Limit Voltage (AC. V. rms)	250VAC
Rated Voltage (AC. V. rms) 1 minute	2000VAC
Insulation Resistance (MΩ Min.) at DC 500V	2000
Contact Resistance (MΩ Min.) at DC 1A	3

Part Number	Description	Unit Weight
KC07CF	Panel Female	TBD
KC07CM	Panel Male	TBD
KC07LF	Line Female	TBD
KC07LM	Line Male	TBD

Operating Temperature	-40 to +85° C
Touch Tension	2 Kg
Pressure	1800 VAC/MIN
Terminal Wear	5000+ Connections