



19-PIN CONNECTORS



Inline connector shown with PG-29 gland-style strain relief threaded into backshell.



- Fully compatible with Socapex "419" and other industry-standard 6-circuit connectors
- Rugged die-cast aluminum backshell and machined aluminum locking ring
- Non-conductive black anodized finish
- Hard gold-plated contacts
- Integral compression-type strain relief handles a wide range of cable sizes
- Threaded backshell also accepts standard PG-29 gland-type strain relief
- Extended ground contacts allow make first, break last operation

Socapex is a registered trademark of its owner.

Innovative, Performance-Driven Show Technology Since 1983

tmb.com

Los Angeles

London

New York

Beijing

Toronto

+1 818-899-8818

+44 (0)20-8574-9700

+1 201-896-8600

+86 10-8492-1587

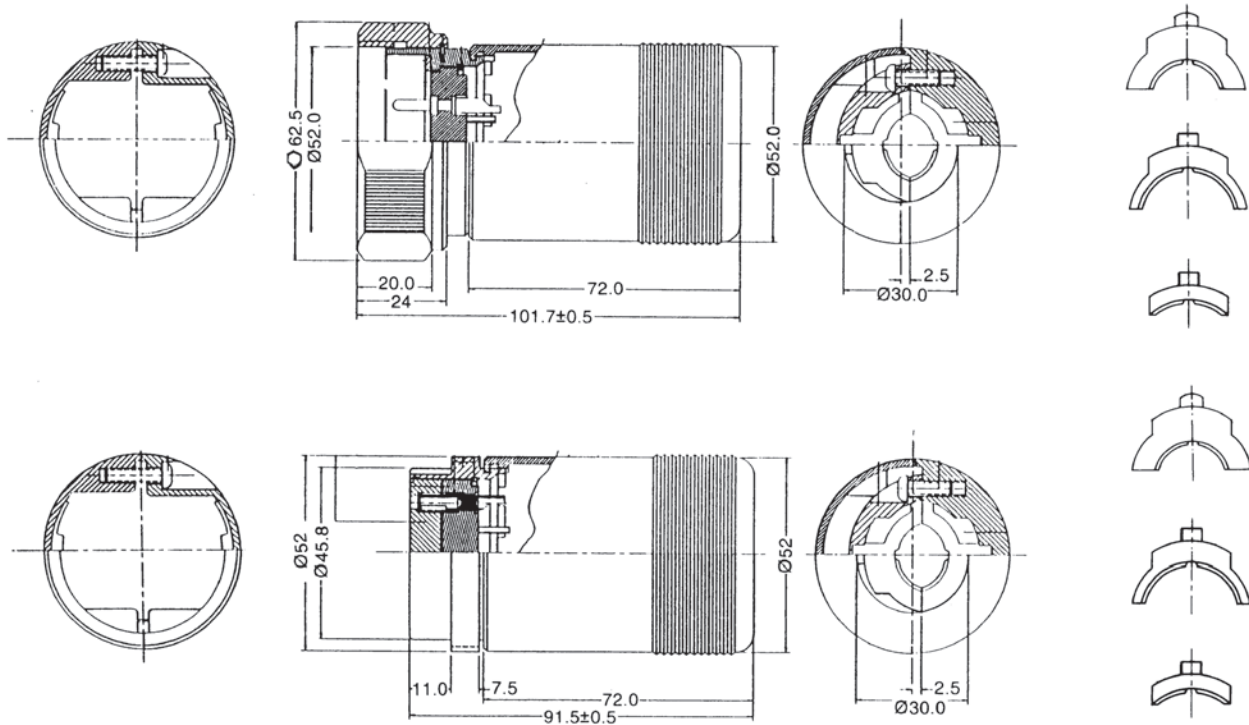
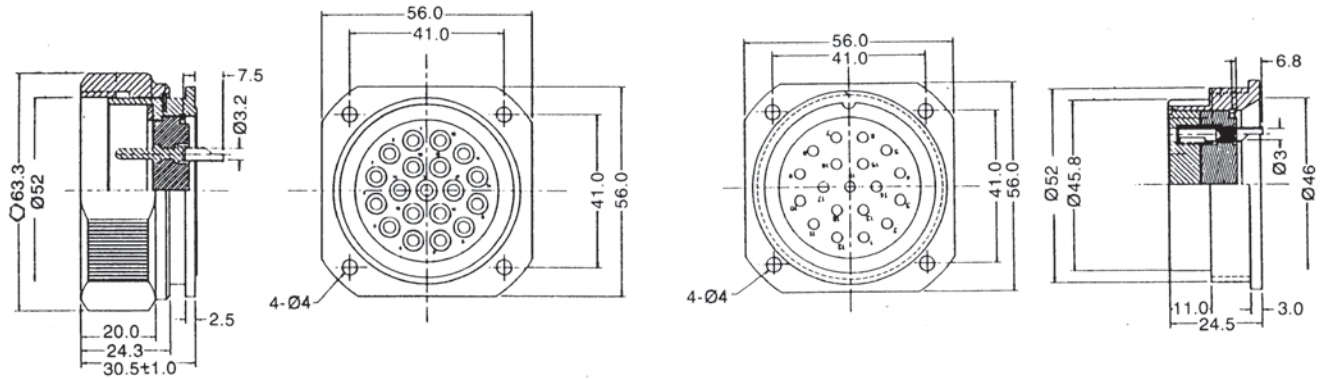
+1 519-538-0888



© 2017, TMB. All rights reserved. LITKC19 – Effective: 14 February 2013
Specifications are subject to change without notice. This information supersedes all previously supplied information.



19-PIN CONNECTORS



Number of Contacts	19
Contacts Configuration	
Rated Current / Voltage	20A 250VAC
Operating Limit Voltage (v.)	400VAC
Rated Voltage (v.)	1500VAC
Insulation Resistance (MΩ Min.)	2000
Contact Resistance (MΩ Max.)	3

Part Number	Description	Unit Weight
KC19CF	Panel Female	0.10 Kg
KC19CM	Panel Male	0.14 Kg
KC19LF	Line Female	0.20 Kg
KC19LM	Line Male	0.24 Kg

Operating Temperature	-40 to +85° C
Terminal Wear	5000+ Connections