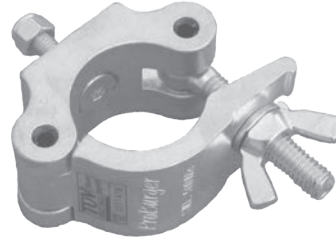


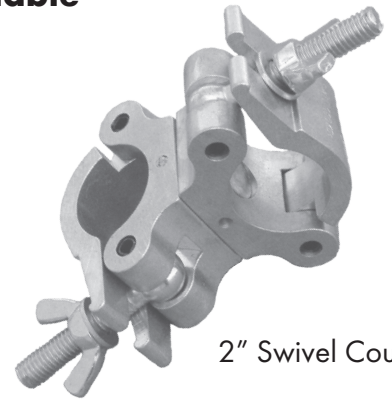
Black Anodised Versions Also Available



2" Slim Half Coupler



2" Half Coupler



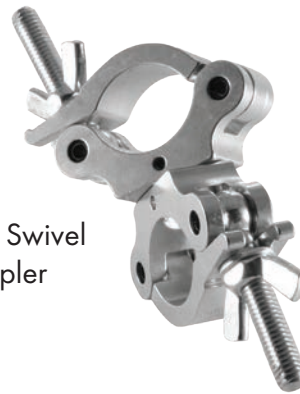
2" Swivel Coupler



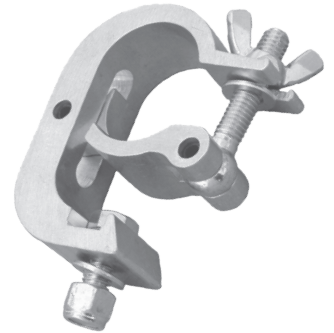
1" Half Coupler



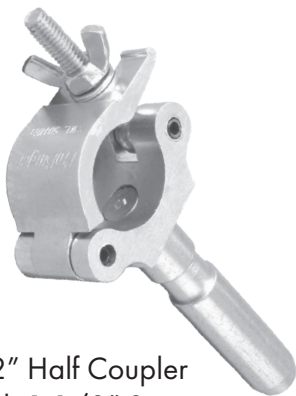
2" Lightweight Coupler



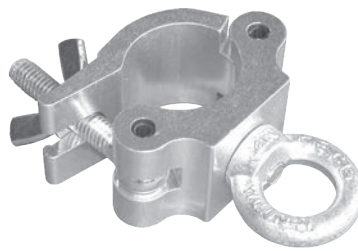
2" Slim Swivel Coupler



2" Snap Coupler



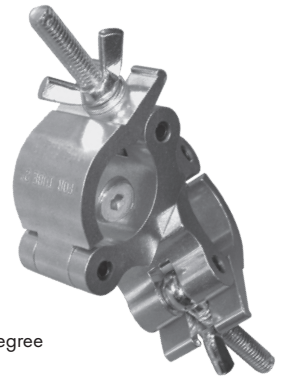
2" Half Coupler
with 1 1/8" Spigot



2" Half Coupler
with Eye Ring

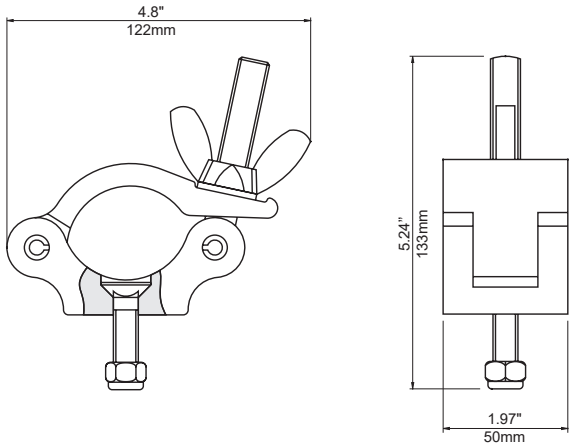
2" Lightweight
Adjustable Coupler

Can be instantly fixed at any 45 degree
interval without a roll pin.

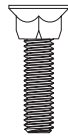
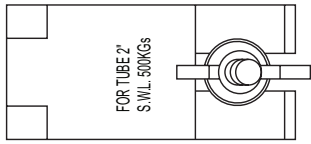


ProBurger couplers are constructed from a certified high tensile-strength 6061 T6 aluminium extrusion. They attach securely to tubes and combine strength and durability with a high degree of safety. ProBurger range is tested to a safety factor of 10:1. Select models TUV certified.

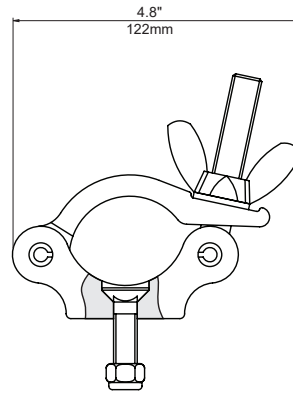
ProBurger provides entertainment industry users with a great deal of flexibility in creating attachments to meet their individual requirements.



For use with
2" OD tubing



Exclusive MagicBolt
No hex key needed!
ASTM International
Grade 10.9



For use with
2" OD tubing



Exclusive MagicBolt
No hex key needed!
ASTM International
Grade 10.9

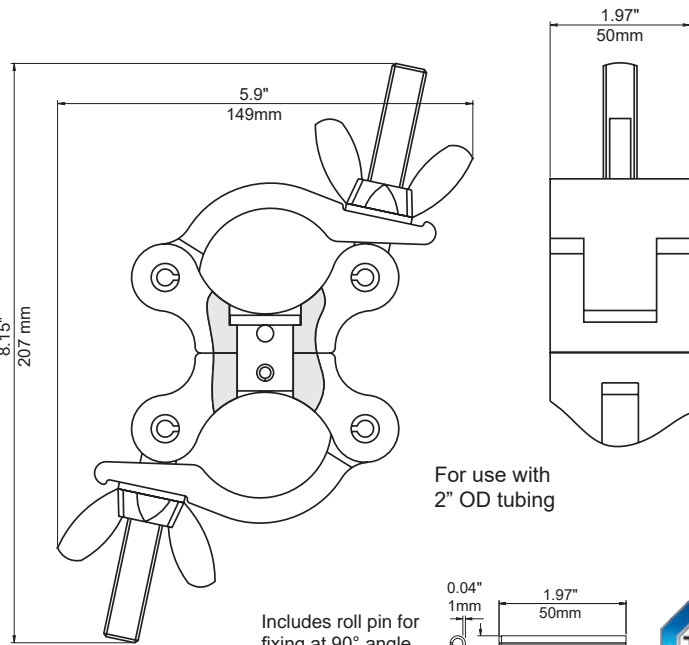


2" Half Couplers

PRBHCM10	M10-1.5 MagicBolt, Natural Finish	500 Kg S.W.L.	Unit Weight: 1.15 lb [0.52 kg]
PRBHCM10B	M10-1.5 MagicBolt, Black Anodised Finish		
PRBHC1/2	1/2"-13 MagicBolt Natural Finish		
PRBHC1/2B	1/2"-13 MagicBolt Black Anodised Finish		

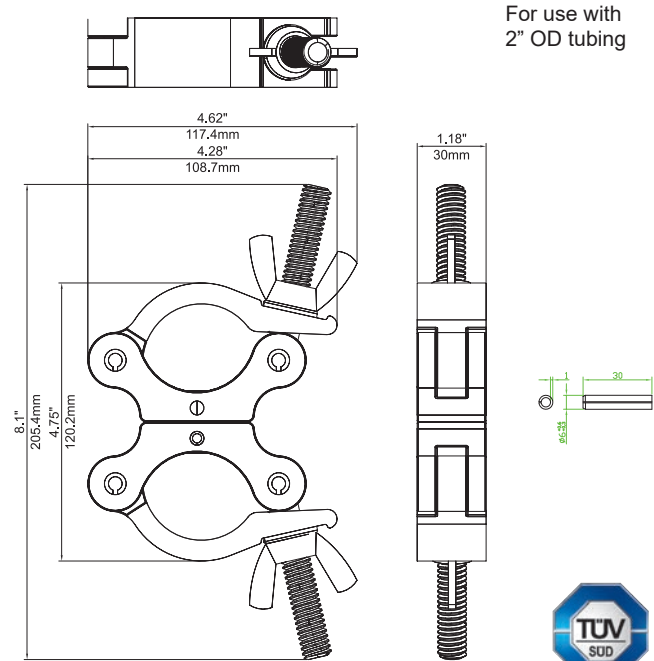
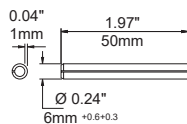
2" Slim Half Couplers

PRBHCSL	3/8"-16 MagicBolt Natural Finish	300 Kg S.W.L.	Unit Weight: 0.75 lb [0.34 kg]
PRBHCSLB	3/8"-16 MagicBolt Black Anodised Finish		

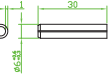


For use with
2" OD tubing

Includes roll pin for
fixing at 90° angle.



For use with
2" OD tubing



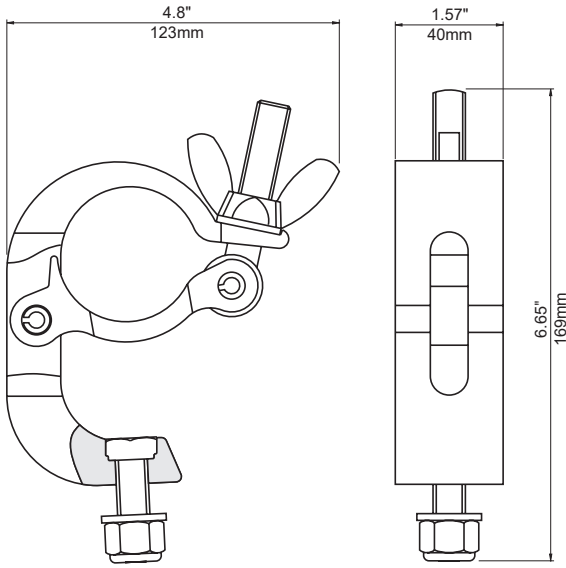
2" Swivel Couplers

PRBSC	Swivel Coupler, Natural Finish	500 Kg S.W.L.	Unit Weight: 2.15 lb [0.98 kg]
PRBSCB	Swivel Coupler, Black Anodised Finish		

2" Slim Swivel Couplers

PRBSLSC	Slim Swivel Coupler, Natural Finish	300 Kg S.W.L.	Unit Weight: 1.5 lb [0.68 kg]
PRBSLSCB	Slim Swivel Coupler, Black Anodised Finish		

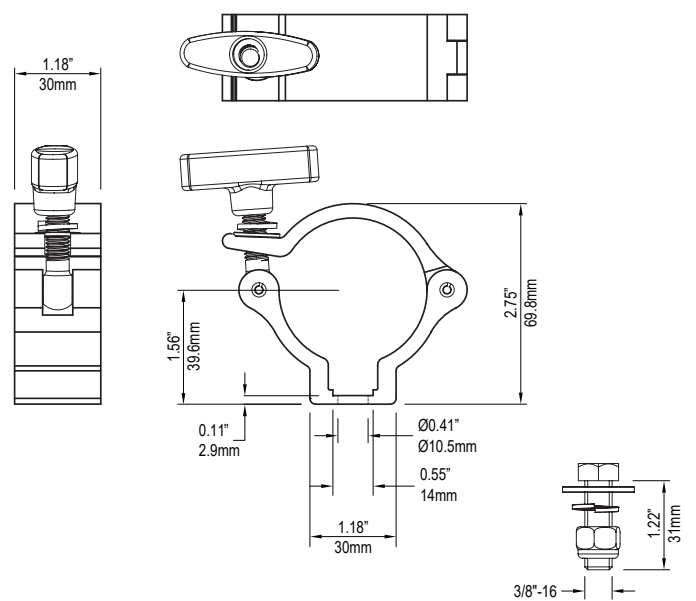
For use with
2" OD tubing



2" Snap Couplers

PRBSNC1/2	1/2"-13 Mounting Bolt Natural Finish	300 Kg S.W.L.	Unit Weight: 1.3 lb [0.59 kg]
PRBSNC1/2B	1/2"-13 Mounting Bolt Black Anodised Finish		

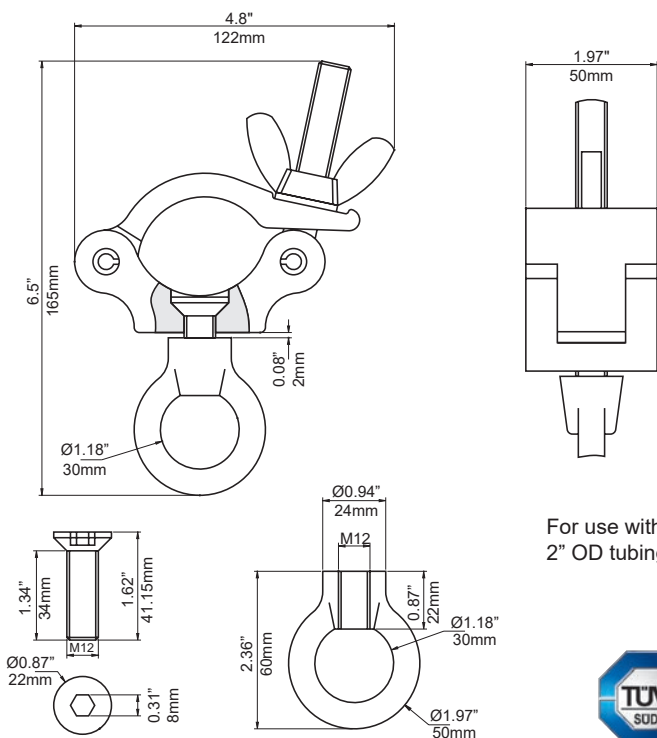
For use with
2" OD tubing



2" Lightweight Couplers

PRBHCLW	Lightweight Coupler, Natural Finish	75 Kg S.W.L.	Unit Weight: 0.4 lb [0.18 kg]
PRBHCLWB	Lightweight Coupler, Black Anodised Finish		

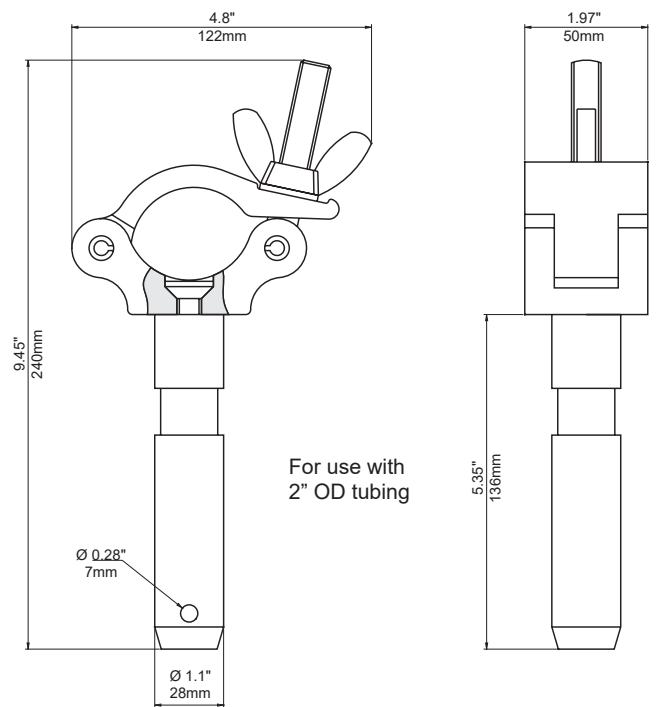
For use with
2" OD tubing



2" Half Coupler with Eye Ring

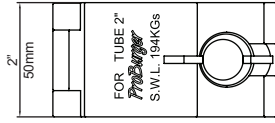
PRBERC	M12 Eye Ring Natural Finish	340 Kg S.W.L.	Unit Weight: 1.35 lb [0.61 kg]
--------	-----------------------------	------------------	-----------------------------------

For use with
2" OD tubing

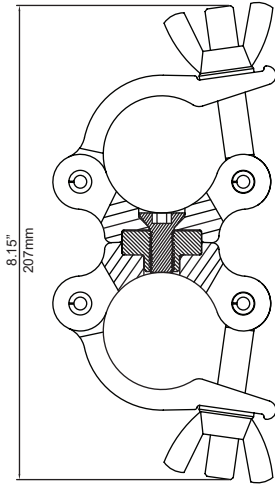


2" Half Coupler with Spigot

PRBSPC	1 1/8" Spigot Natural Finish	500 Kg S.W.L.	Unit Weight: 2.25 lb [1.02 kg]
--------	------------------------------	------------------	-----------------------------------



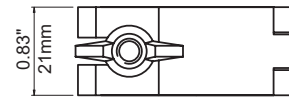
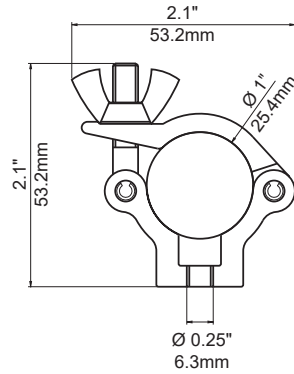
For use with
2" OD tubing



2" Lightweight Adjustable Couplers

PRBACS	Adjustable Coupler Natural Finish	194 Kg S.W.L.	Unit Weight: 2.25 lb [1.02 kg]
PRBACB	Adjustable Coupler Black Anodised Finish		

For use with
2" OD tubing



1" Half Couplers

PRBHC1	1/4" Mounting Bolt (bolt not included) Natural Finish	50 Kg S.W.L.	Unit Weight: 0.10 lb [0.05 kg]
--------	--	-----------------	-----------------------------------