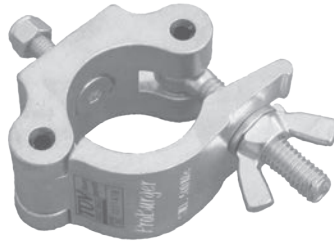


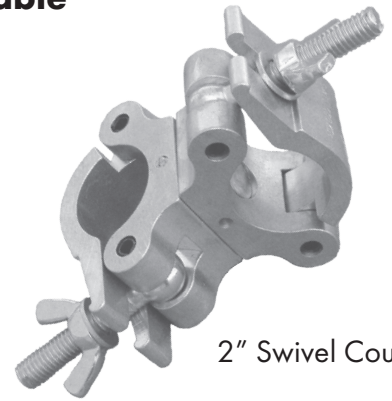
Black Anodized Versions Also Available



2" Slim Half Coupler



2" Half Coupler



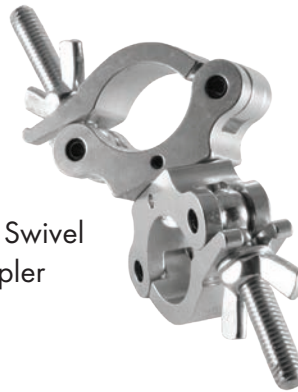
2" Swivel Coupler



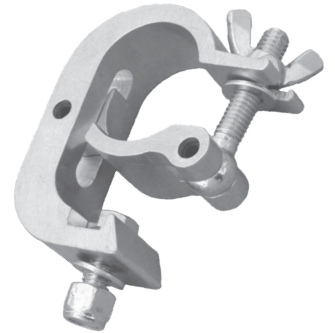
1" Half Coupler



2" Lightweight Coupler



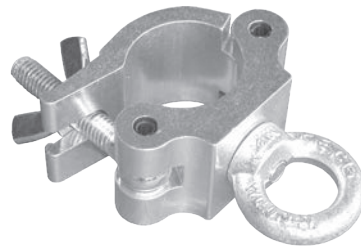
2" Slim Swivel Coupler



2" Snap Coupler



2" Half Coupler with 1 1/8" Spigot



2" Half Coupler with Eye Ring

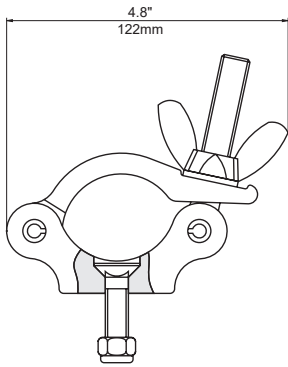
2" Lightweight Adjustable Coupler

Can be instantly fixed at any 45 degree interval without a roll pin.

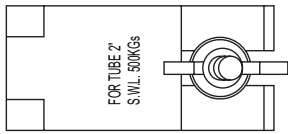
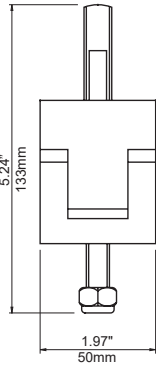


ProBurger couplers are constructed from a certified high tensile-strength 6061 T6 aluminum extrusion. They attach securely to tubes and combine strength and durability with a high degree of safety. ProBurger range is tested to a safety factor of 10:1. Select models TUV certified.

ProBurger provides entertainment industry users with a great deal of flexibility in creating attachments to meet their individual requirements.



For use with
2" OD tubing

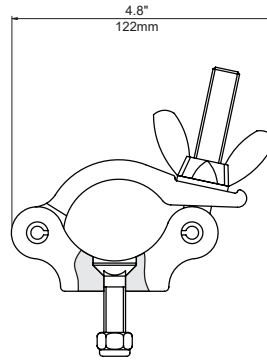


Exclusive MagicBolt
No hex key needed!
ASTM International
Grade 10.9

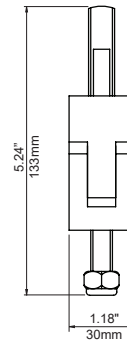


2" Half Couplers

PRBHC3/8	3/8"-16 MagicBolt Natural Finish	500 Kg S.W.L.	Unit Weight: 1.15 lb [0.52 kg]
PRBHC3/8B	3/8"-16 MagicBolt Black Anodized Finish		
PRBHC1/2	1/2"-13 MagicBolt Natural Finish		
PRBHC1/2B	1/2"-13 MagicBolt Black Anodized Finish		



For use with
2" OD tubing

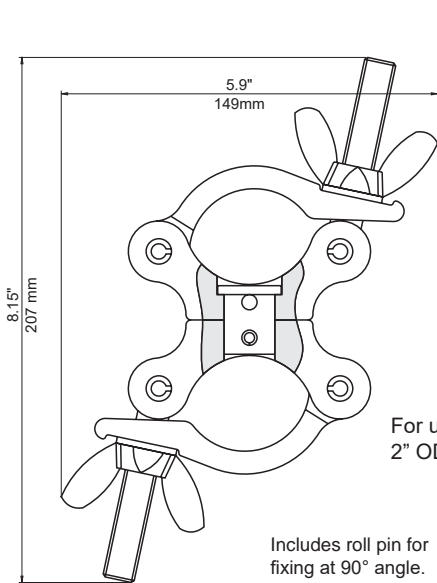


Exclusive MagicBolt
No hex key needed!
ASTM International
Grade 10.9

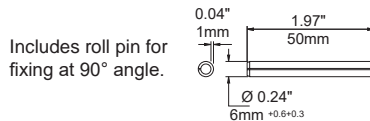
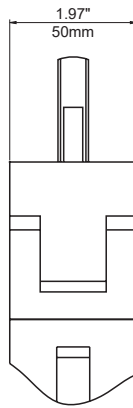


2" Slim Half Couplers

PRBHCSL	3/8"-16 MagicBolt Natural Finish	300 Kg S.W.L.	Unit Weight: 0.75 lb [0.34 kg]
PRBHCSLB	3/8"-16 MagicBolt Black Anodized Finish		



For use with
2" OD tubing

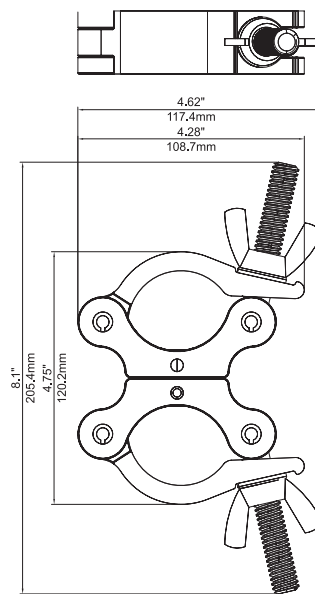


Includes roll pin for
fixing at 90° angle.

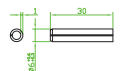


2" Swivel Couplers

PRBSC	Swivel Coupler, Natural Finish	500 Kg S.W.L.	Unit Weight: 2.15 lb [0.98 kg]
PRBSCB	Swivel Coupler, Black Anodized Finish		

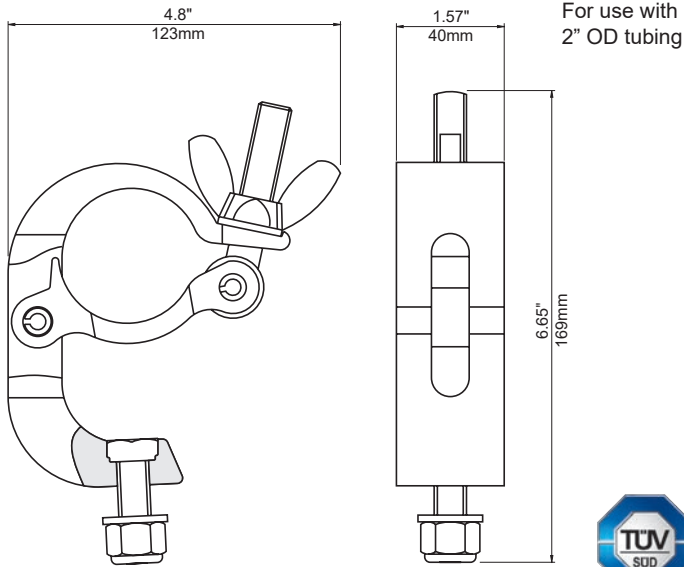


For use with
2" OD tubing

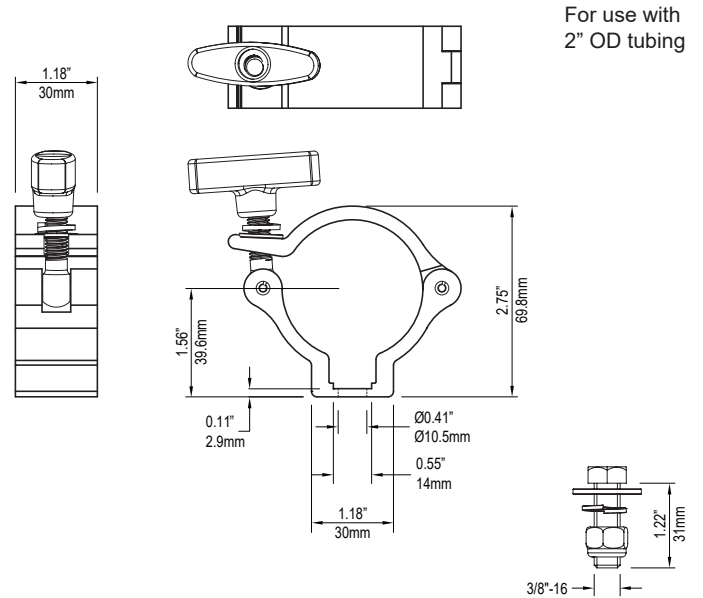


2" Slim Swivel Couplers

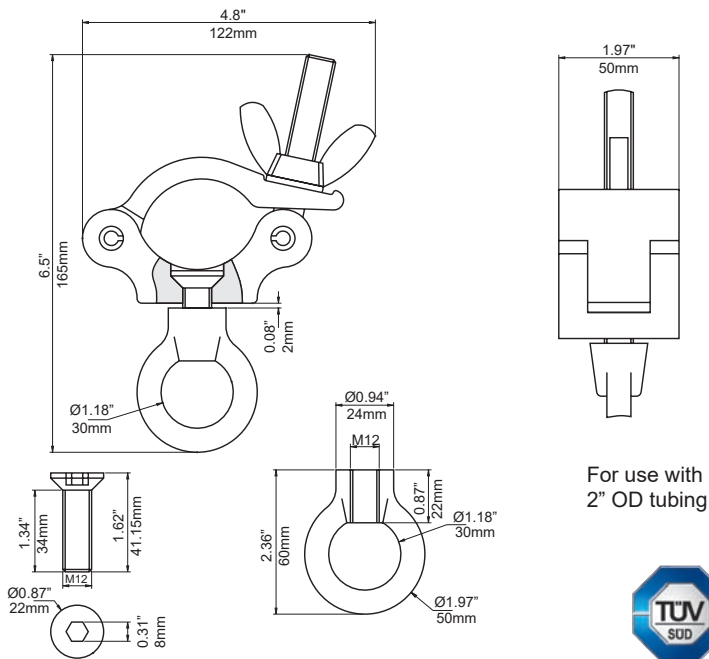
PRBSLSC	Slim Swivel Coupler, Natural Finish	300 Kg S.W.L.	Unit Weight: 1.5 lb [0.68 kg]
PRBSLSCB	Slim Swivel Coupler, Black Anodized Finish		



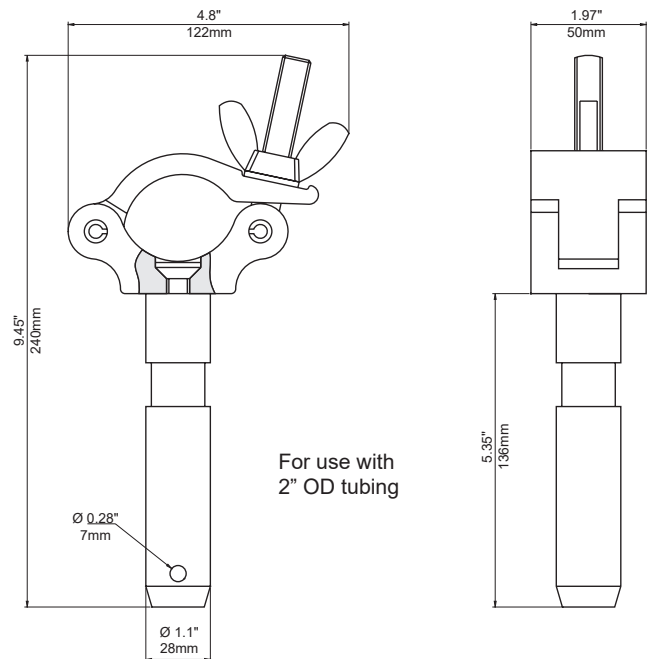
2" Snap Couplers			
PRBSNC1/2	1/2"-13 Mounting Bolt Natural Finish	300 Kg S.W.L.	Unit Weight: 1.3 lb [0.59 kg]
PRBSNC1/2B	1/2"-13 Mounting Bolt Black Anodized Finish		



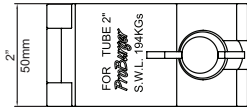
2" Lightweight Couplers			
PRBHCLW	Lightweight Coupler, Natural Finish	75 Kg S.W.L.	Unit Weight: 0.4 lb [0.18 kg]
PRBHCLWB	Lightweight Coupler, Black Anodized Finish		



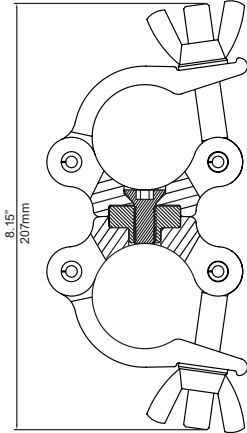
2" Half Coupler with Eye Ring			
PRBERC	M12 Eye Ring Natural Finish	340 Kg S.W.L.	Unit Weight: 1.35 lb [0.61 kg]



2" Half Coupler with Spigot			
PRBSPC	1 1/8" Spigot Natural Finish	500 Kg S.W.L.	Unit Weight: 2.25 lb [1.02 kg]



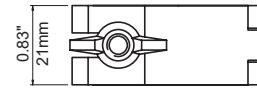
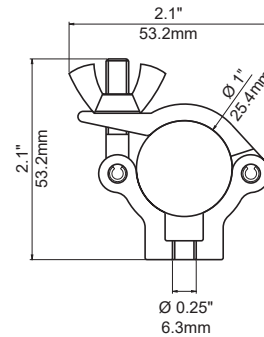
For use with
2" OD tubing



2" Lightweight Adjustable Couplers

PRBACS	Adjustable Coupler Natural Finish	194 Kg S.W.L.	Unit Weight: 2.25 lb [1.02 kg]
PRBACB	Adjustable Coupler Black Anodized Finish		

For use with
1" OD tubing



1" Half Couplers

PRBHC1	1/4" Mounting Bolt (bolt not included) Natural Finish	50 Kg S.W.L.	Unit Weight: 0.10 lb [0.05 kg]
--------	---	-----------------	--------------------------------