

ProCan™

AUDIENCE BLINDERS



COMPACT, LIGHTWEIGHT, POWERFUL, DURABLE!

- *Powerful output in a compact, lightweight package*
- *Heavy-duty aluminum construction with baked enamel finish*
- *Positive locking yoke*
- *Improved ventilation for extended lamp life*
- *Individually adjustable lamp banks*
- *Fits all major brands of color changers*
- *Stock and custom wiring configurations available*



Production Supplies & Services Worldwide

tmb-info@tmb.com

LOS ANGELES

LONDON

NEW YORK

BEIJING

TORONTO

Tel: +1 818.899.8818

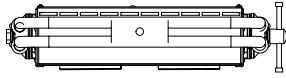
Tel: +44 (0)20.8574.9700

Tel: +1 201.896.8600

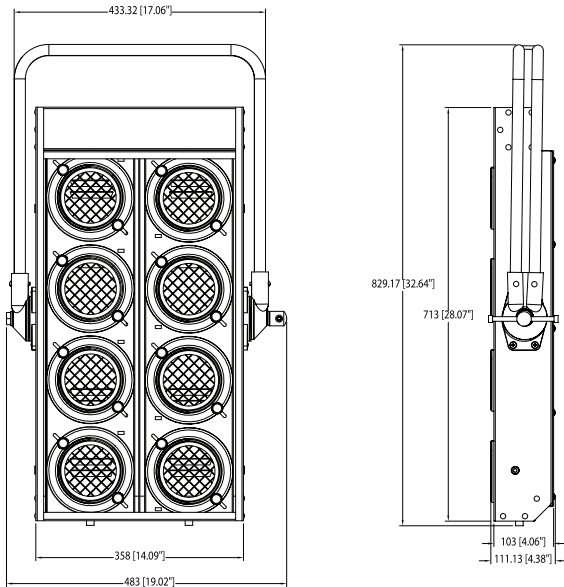
Tel: +86 10.8492.1587

Tel: +1 519.538.0888

© TMB



ProCan 8-Lite
Part No. PR8LITE
For use with PAR 36 lamps



Standard wiring configurations include:

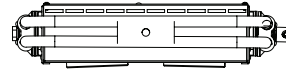
- Unwired
- Parallel wiring for DWE 120V lamps
- Series wiring for 28V ACL lamps

Connector configurations include:

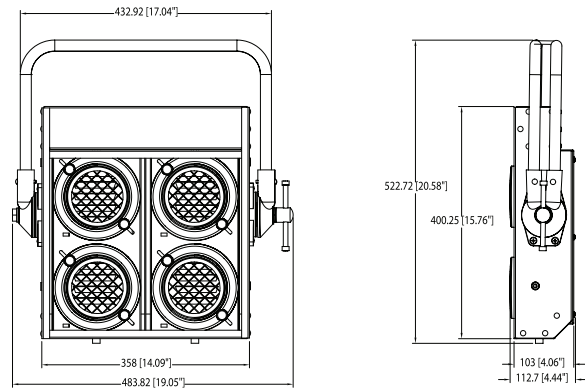
- Bare pigtail
- Pigtails with 2P&G or NEMA connectors
- Flush mount NEMA connectors
- Custom configurations

Shipping dimensions (HxWxD) 85 x 52 x 14cm [33.5 x 20.5 x 5.5"]

Shipping weight 11.5 Kg [25.4 lbs.] unwired



ProCan 4-Lite
Part No. PR4LITE
For use with PAR 36 lamps



Standard wiring configurations include:

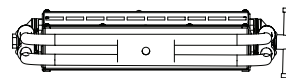
- Unwired
- Parallel wiring for DWE 120V lamps
- Series wiring for 28V ACL lamps

Connector configurations include:

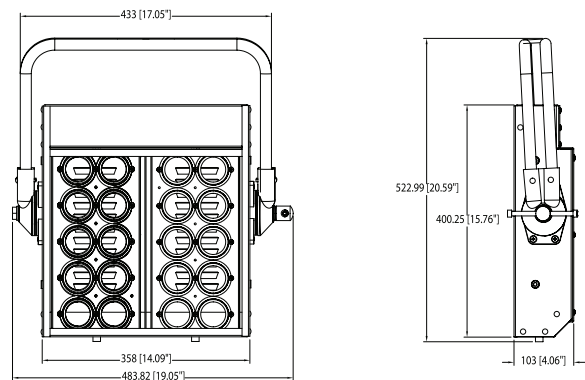
- Bare pigtail
- Pigtails with 2P&G or NEMA connectors
- Flush-mount NEMA connectors
- Custom configurations

Shipping dimensions (HxWxD) 52 x 52 x 14cm [20.5 x 20.5 x 5.5"]

Shipping weight 7.9 Kg [17.4 lbs.] unwired



ProCan 20-Lite
Part No. PR20LITEW
For use with MR16 lamps



Standard wiring configurations include:

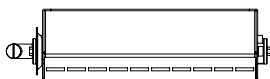
- Wired with 2 series circuits of 10 lamps paralleled to one pigtail for 120V systems. 50 Watt max. lamps.
- Wired with 1 series circuit of 20 lamps for 240V systems. 100 Watt max. lamps.

Connector configurations include:

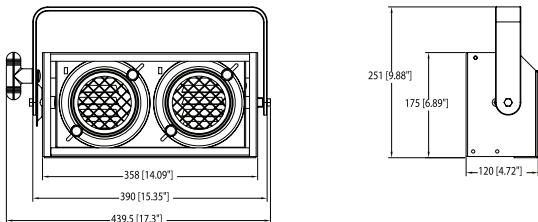
- Bare pigtail
- Pigtail with 2P&G or NEMA connector
- Flush-mount NEMA connector
- Custom configurations

Shipping dimensions (HxWxD) 52 x 52 x 14cm [20.5 x 20.5 x 5.5"]

Shipping weight 7.9 Kg [17.4 lbs.] wired



ProCan 2-Lite
Part No. PR2LITE
For use with PAR 36 lamps



Standard wiring configurations include:

- Unwired
- Parallel wiring for DWE 120V lamps

Connector configurations include:

- Bare pigtail
- Pigtails with 2P&G or NEMA connector
- Custom configurations

Shipping dimensions (2 pack) (HxWxD) 52 x 52 x 16cm [20.5 x 20.5 x 6.25"]

Shipping weight (2 pack) 6 Kg [13.2 lbs.] unwired