

ProPlex IQ – 4 RDM DIN Rail Quick Start Guide



TMB 24/7 Technical Support

US/Canada: +1 818.794.1286
Toll Free: 1 877.862.3833 (877.TMB.DUDE)
UK: +44 (0)20.8574.9739
Toll Free: 0800.652.5418
e-mail: techsupport@tmb.com

Innovative, Performance-Driven Show Technology Since 1983

tmb.com

Los Angeles

London

New York

Beijing

Toronto

+1 818-899-8818

+44 (0)20-8574-9700

+1 201-896-8600

+86 10-8492-1587

+1 519-538-0888

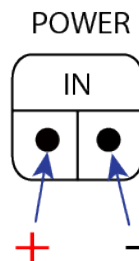


Setup

ProPlex DIN Rail devices use a standard Phoenix MSTB screw terminal connector in various pin configurations. Please refer to the wiring diagrams below for correct hook up of your ProPlex DIN Rail product.



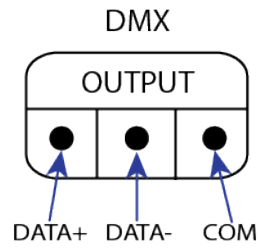
1. Connect the 24 VDC power to the power input located in left top corner. The connector should be wired as depicted in the image below.



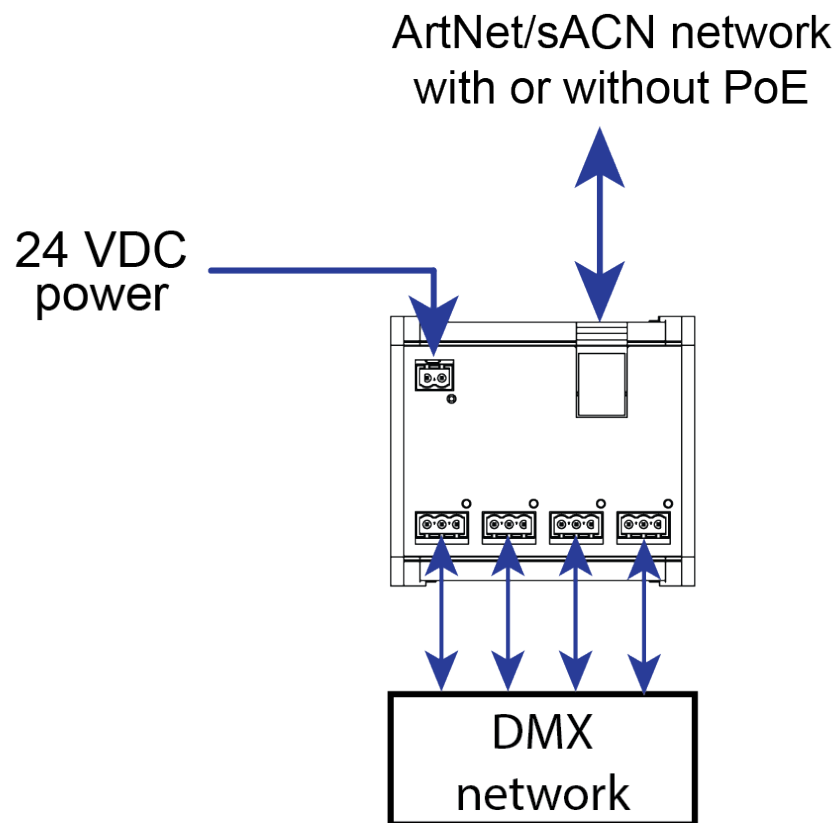
1.1. The ProPlex IQ-4 DIN Rail can be powered by PoE (Power over Ethernet). If you want to use the PoE feature, skip to Step 2.

2. Connect the Ethernet cable from your Art-Net or sACN network to the RJ45 (Ethernet) port on the top of the IQ-4 DIN Rail. To use PoE to power the unit, connect an Ethernet cable that carries PoE. The specified PoE DC voltage is 20-56 VDC. PoE can come from PoE enabled Gigabit Switches or from PoE injectors. Please consult the manual of your PoE device to make sure it can supply the proper voltage and can support the max. 10W of power needed for the ProPlex IQ-4 DIN Rail device.

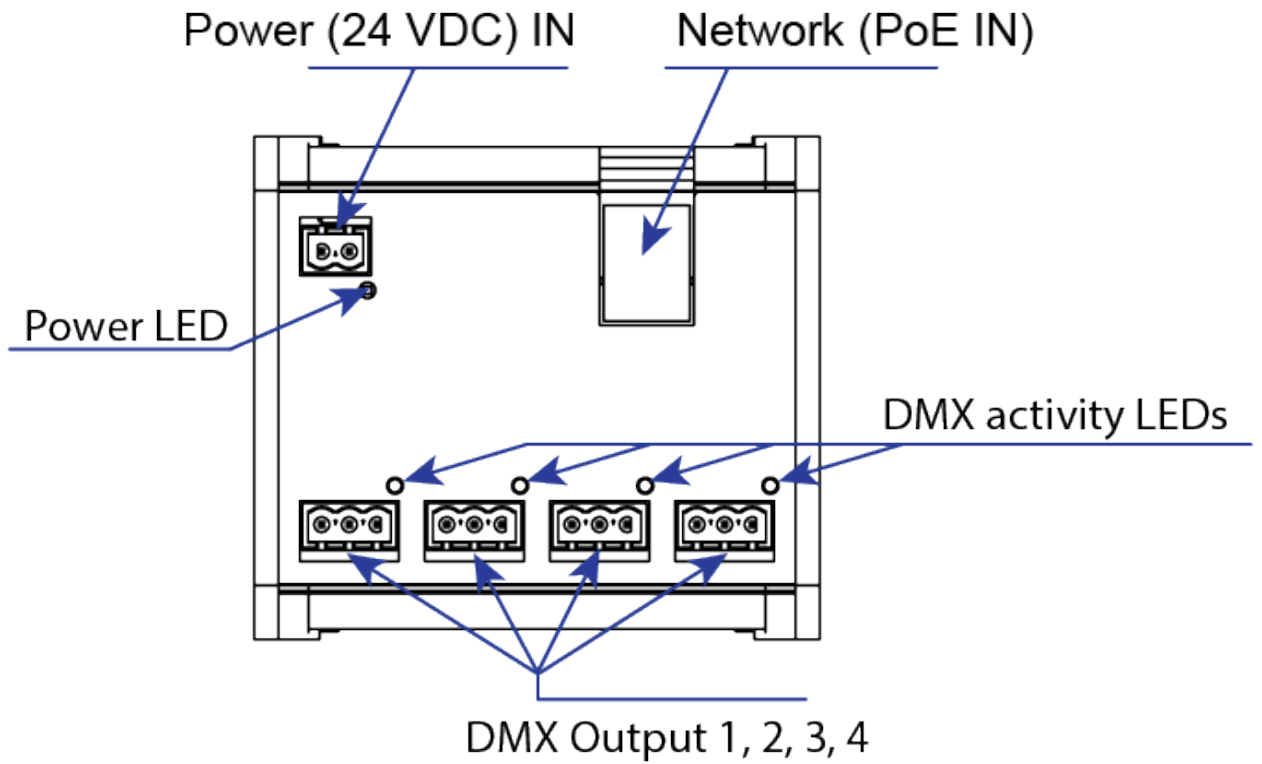
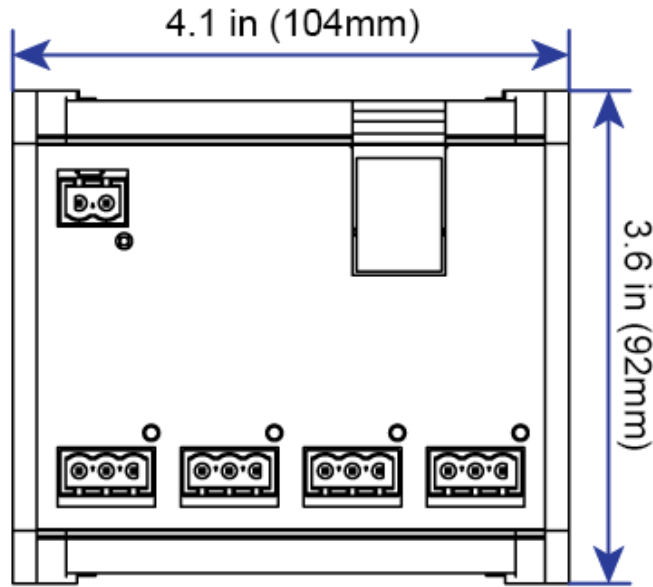
3. Connect the DMX signal cable to the IQ-4 DIN Rail DMX ports. These ports can be set up as inputs or outputs using the built-in web server or with the ProPlex IQ RDM Manager Software. The connector should be wired as follows:



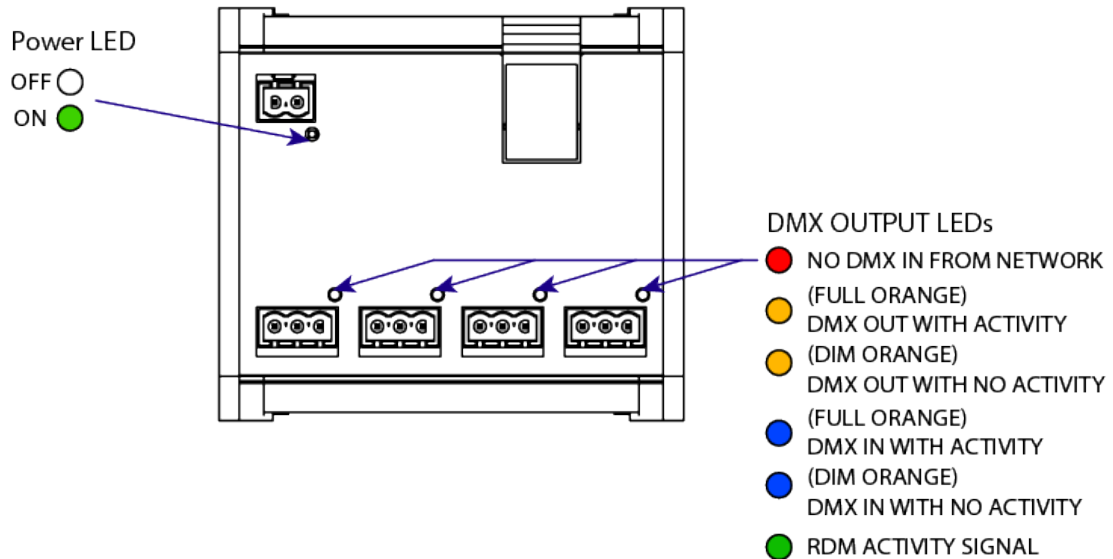
Connections



Dimensions and Connections



LED status information



The Power LED has two states: ON and OFF.

- ON: Unit is receiving power
- OFF: Unit is not receiving power

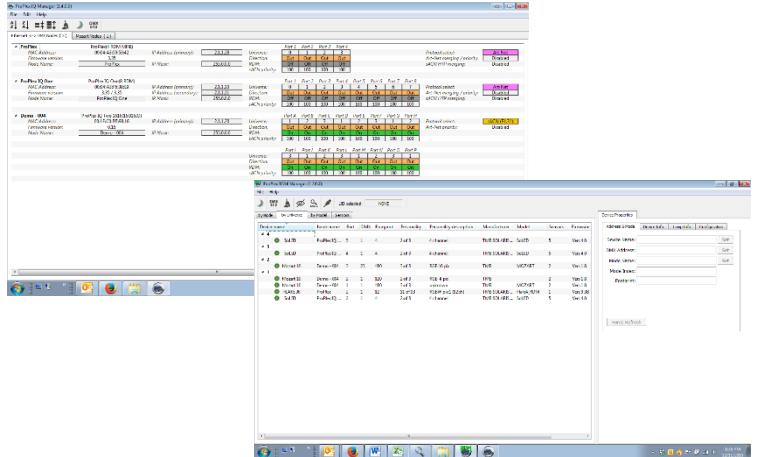
The DMX output LEDs have multiple states: RED, ORANGE (full), ORANGE (dim), BLUE (full), BLUE (dim), and GREEN.

- RED: There is no active incoming DMX signal.
- ORANGE (full): The port is configured as a DMX output and there is an active outgoing DMX signal.
- ORANGE (dim): The port is configured as a DMX output and there is no active outgoing DMX signal.
- BLUE (full): The port is configured as a DMX input and there is an active incoming DMX signal.
- BLUE (dim): The port is configured as a DMX input and there is no active incoming DMX signal.
- GREEN (intermittent): The port is RDM enabled with active RDM packets on the DMX link. This GREEN intermittent color change is present in BLUE and ORANGE LED states. *Note: Currently sACN E1.31 does not include RDM. Once sACN E1.31 is ratified to include RDM, there will be a free software update issued for the IQ-4 DIN Rail. Art-Net must be used currently as the protocol for the IQ-4 DIN Rail in order to have RDM functionality.*

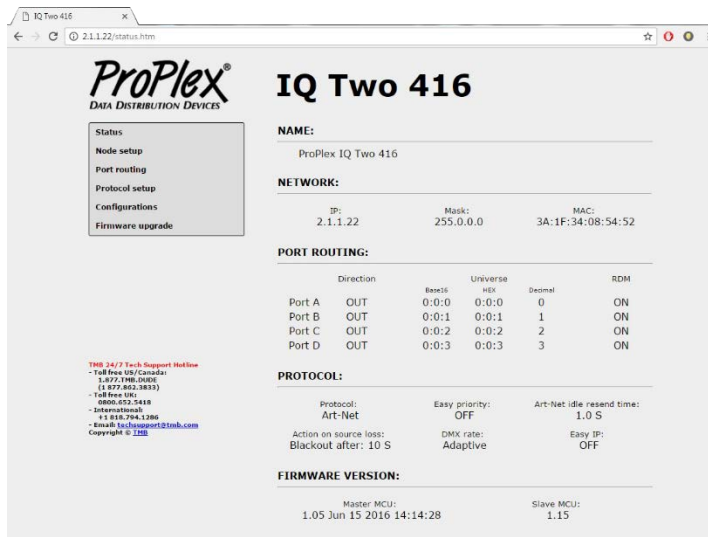
REMOTE CONFIGURATION AND MONITORING OF IQ NODES

ProPlex IQ Ethernet to DMX nodes can be configured and monitored via two methods: ProPlex IQ RDM Manager software and via a web browser.

The ProPlex IQ RDM Manager software is available as a free PC download from www.tmb.com. This software includes a full suite of configuration and monitoring features, and makes managing multiple nodes on a network extremely easy. The Software also includes a RDM management suite for devices connected the IQ nodes or via a ProPlex RDMigo Cable.



ProPlex IQ Ethernet to DMX nodes can also be remotely configured via their onboard webserver. Using a PC or Mac internet browser, connect to individual IQ nodes by typing their IP address into the internet address bar.



Please see ProPlex IQ RDM Manager Software manual for information on how to configure the ProPlex IQ-4 DIN Rail.

Note: ProPlex IQ devices are bidirectional Art-Net/sACN/DMX nodes. All DMX ports have optical and galvanic isolation. ProPlex IQ units are RDM enabled and in combination with the ProPlex IQ RDM manager software, can be used for fixture system setup and maintenance. Unit configuration can be done remotely using the built-in web server or with ProPlex IQ Manager Software.

The ProPlex IQ-4 DIN Rail has the same functionality as the ProPlex IQ family of Ethernet-DMX nodes.

Please see ProPlex IQ RDM Manager Software manual for information on how to configure the ProPlex IQ-4 DIN Rail.

TMB 24/7 Technical Support

US/Canada: +1 818.794.1286
Toll Free: 1 877.862.3833 (877.TMB.DUDE)
UK: +44 (0)20.8574.9739
Toll Free: 0800.652.5418
e-mail: techsupport@tmb.com