

ProPlex® IQ

Micro Bidirectional Ethernet-DMX Node

2 DMX Universes that go anywhere!
Big power in a small package!

The IQ Micro 2-universe, 2-port bidirectional Ethernet-DMX node packs a lot of merging/converting power in a small package! Convert between Ethernet and 2 universes of DMX. Neutrik connectors are featured and large navigation buttons with easy-to-read LCD makes programming simple, easy, and quick. The handy optional mounting plate and strap make installation effortless and the extremely compact unit will fit anywhere. ProPlex IQ products are rugged, intuitive, and quick to configure. Powered by PoE, the IQ Micro is fully RDM functional and interfaces with IQ Manager and RDM Manager software!



BUILT FOR THE ROAD!

- Bidirectional, 2-universe, 2-port merging and Ethernet protocol conversion of DMX data (sACN/ArtNet)
- Rugged, extremely compact Micro enclosure with optional mounting plate and strap installs almost anywhere
- Intuitive, simple web interface or front panel control of all basic functions
- RDM functionality for complete system feedback and monitoring
- All Neutrik connectors: XLR and EtherCon



Worldwide Exclusive Distribution

Innovative, Performance-Driven Show Technology Since 1983

tmb.com

Los Angeles

London

New York

Beijing

Toronto

+1 818-899-8818

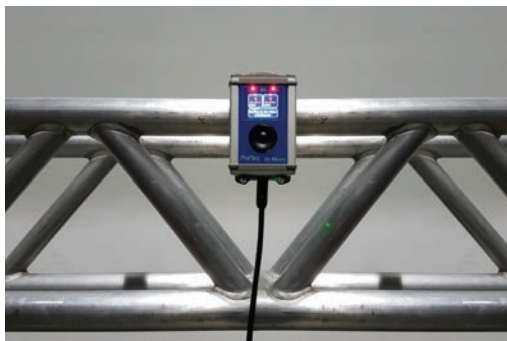
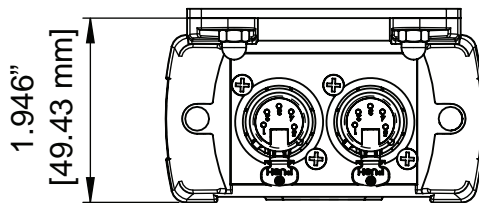
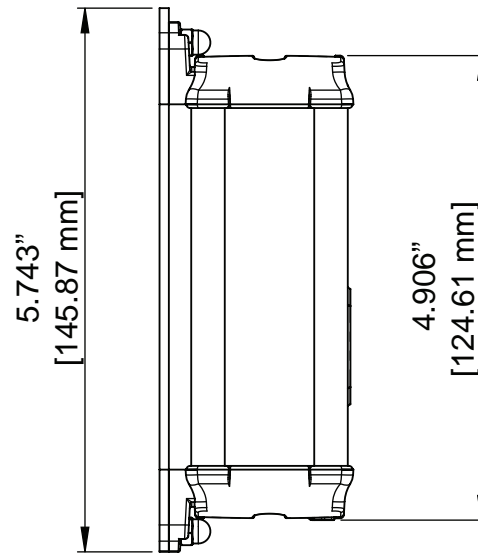
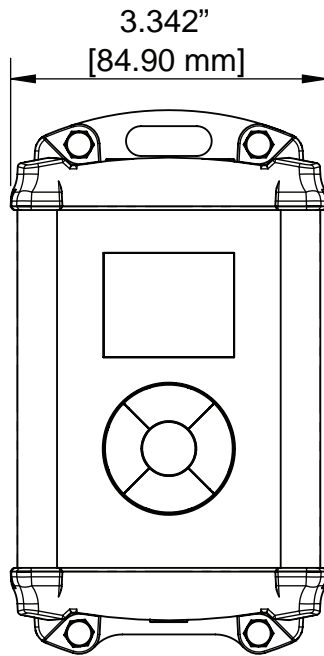
+44 (0)20-8574-9700

+1 201-896-8600

+86 10-8492-1587

+1 519-538-0888





IQ Micro's easy-to-use optional mounting strap fastens to 12" box truss and nearly anywhere else!

ProPlex[®]
DATA DISTRIBUTION

Technical Specifications

Technical Specifications	
Part Number	PPIQC215MCD
Ethernet Ports	1
DMX Ports	2
DMX Connectors	Neutrik XLR5 Female (NC5FAV)
DMX Port Isolation	Optical, up to 1000 V
Ethernet Connector	Neutrik EtherCON RJ45
Ethernet Type	10/100 Base-T
Network Protocols	ArtNet, sACN (E1.31)
Additional Features	RDM; HTP merging; easy priority; sACN priority
Power	24/48 VDC (PoE In)
Power Consumption	2.5 W
Cooling	Convection
Operating Temp.	-20 to +40 °C
Operating Humidity	10-85%
Unit Dimensions w/Plate (WxHxD)	5.7 x 3.34 x 2 in (146 x 84.9 x 51 mm)
Unit Dimensions w/o Plate (WxHxD)	4.9 x 3.34 x 1.875 in (124.6 x 84.9 x 47.6 mm)
Unit Weight (unpacked)	14.5 oz. (0.4 kg)
Packed Dimensions (WxHxD)	TBD
Shipping Weight	TBD