

ProSeries® PS19

19-Pin
Connectors



PROFESSIONAL 6-CIRCUIT CONNECTORS

- Fully compatible with Veam “VSC” and Socapex “419” connectors
- Extra-rugged, machined aluminium insert and backshells
- Multiple cable-specific compression strain reliefs available
- Hard gold-anodised contacts available in solder & crimp versions with extended ground contacts standard
- Durable, scratch-resistant black anodised finish.

PLUS!

- New mechanical anti-rotation lock system secures insert to prevent spinning.
- New grub screw prevents “spinners” (line connectors)
- Reduced flange thickness reduces profile by 2 mm (chassis connector). Better match with female connectors.

Veam “VSC” and Socapex “419” are registered trademarks.

Innovative, Performance-Driven Show Technology Since 1983

tmb.com

Los Angeles

London

New York

Beijing

Toronto

+1 818-899-8818

+44 (0)20-8574-9700

+1 201-896-8600

+86 10-8492-1587

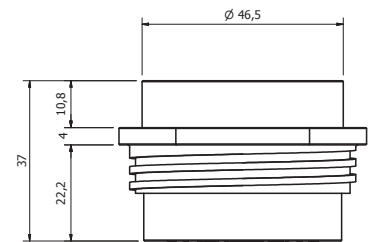
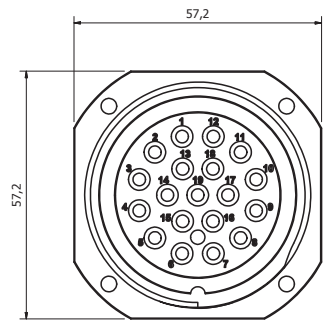
+1 519-538-0888



Connector Specifications	
Number of contacts	19
Ingress protection	IP67 when mated
Slat atmosphere resistance	96 h IEC 68-21-11
Operating temperature	-55C to +125C
Shell material	Machined aluminium alloy
Finish	Black anodised
Insert material	Thermoplastic rubber

Contact Specifications	
Type	Gold plated removable contacts for crimping or soldering
Voltage rating	700 VAC
	500VDC
Max current	41 A
Rated current	23 A
Potential drop	63 mV
Dielectric strength test voltage	2000 VAC RMS
Dielectric strength min. flashover	2800 VAC RMS

Strain Relief Bushing Compatibility		
Part number	Application	Compatible Cable
PSP19CG15/23	15-23 mm Multicable	ProCable 18x1.5mm ²
		ProCable PC1618
		ProCable 18x2.5mm ²
		ProCable PC1414
PSP19CG22/32	22-32 mm Multicable	ProCable PC1419
		ProCable PC1214
		ProCable PC1214SEO
		ProCable PC1219
PSP19CGBO	Break-out	12/3 SJO X 6
		14/3 SJO X 6
		H073x2.5 X 6
		H073x1.5 X 6



Dimensions in millimeters

