

ProTester™ 19

Diagnose and Troubleshoot 19-pin Multicables and Circuits!

Designed for real-world entertainment and staging production, where time, durability, and ease of use are essential!

From TMB, a company that has made (and tested!) cable assemblies for over 30 years!



- **Accurate!** LCD displays real-time results by contact-to-contact scanning.
- **Saves time!** Instantly checks all circuits.
- **Intelligent!** Identifies bussed ground pins
- **Fast and Safe!** Quick-connect feature. No locking rings – no scuffed knuckles!
- **Versatile!** Portable or bench mount.
- **Long battery life!** Auto-off feature.
- **Easy to Use!** Auto-switching DC battery or mains AC power.
- **Multifunctional!** Auto-select wiring diagnosis + continuity/lamp status.
- **Rugged!** Heavy-duty aluminium chassis with “ProPlex Blue” textured finish.

Innovative, Performance-Driven Show Technology Since 1983

tmb.com

Los Angeles

London

New York

Beijing

Toronto

+1 818-899-8818

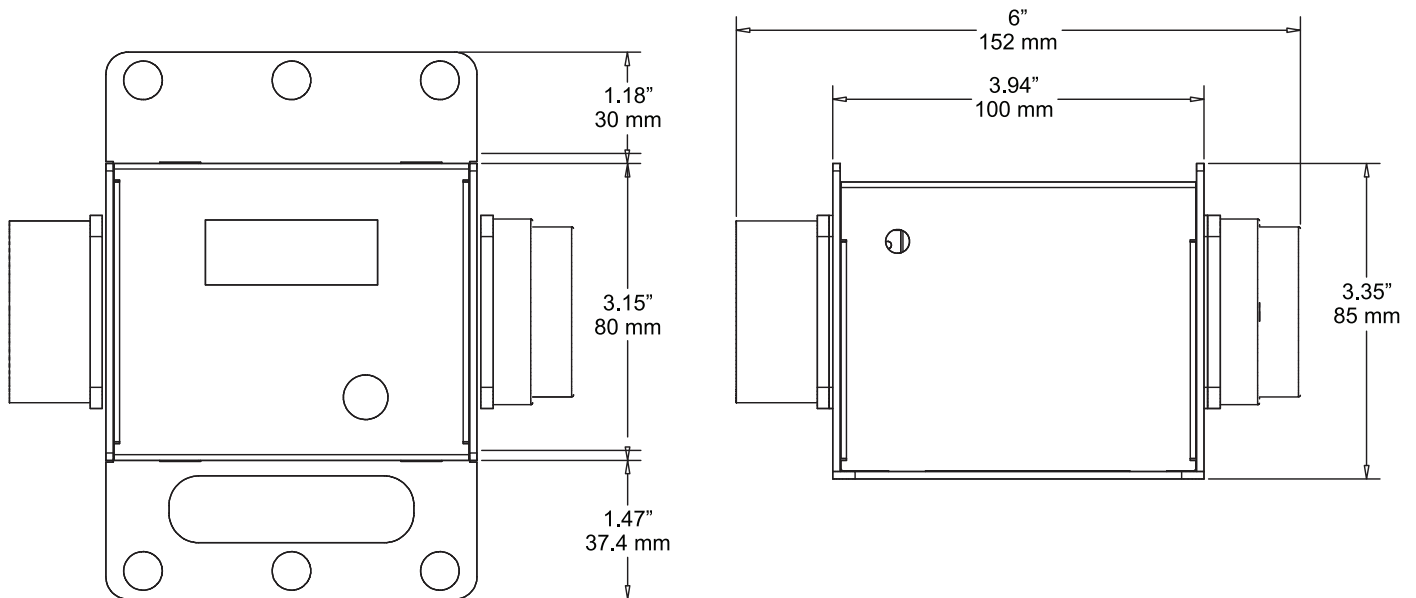
+44 (0)20-8574-9700

+1 201-896-8600

+86 10-8492-1587

+1 519-538-0888





INSTRUCTIONS

CAUTION – NEVER CONNECT TO LIVE CIRCUITS!!

Press “RUN” for Auto Test, or hold “RUN” to cycle through test result screens.

CABLE TEST MODE: Default mode when two ends of a cable are connected. Arrow indicates which end is bad.

OPEN: Circuit is open. Pins not connected or break in the cable.

SHORT: Short between two or more pins.

SWAP: Tested circuits are cross-wired. The incorrect wiring will be identified.

BUSSED EARTH: Ground pins 13 through 18 or 19 are connected together.

LAMP TEST MODE: Tester switches to this mode under a load.

LOAD: Tested lamp is good.

OPEN: Broken circuit. Lamp is bad or no lamp found.

SWAP: Tested circuits are cross-wired. The incorrect wiring will be identified.

LOW BATTERY: Replace batteries or use power adapter. Batteries: 4x AA (DC/1.5V)