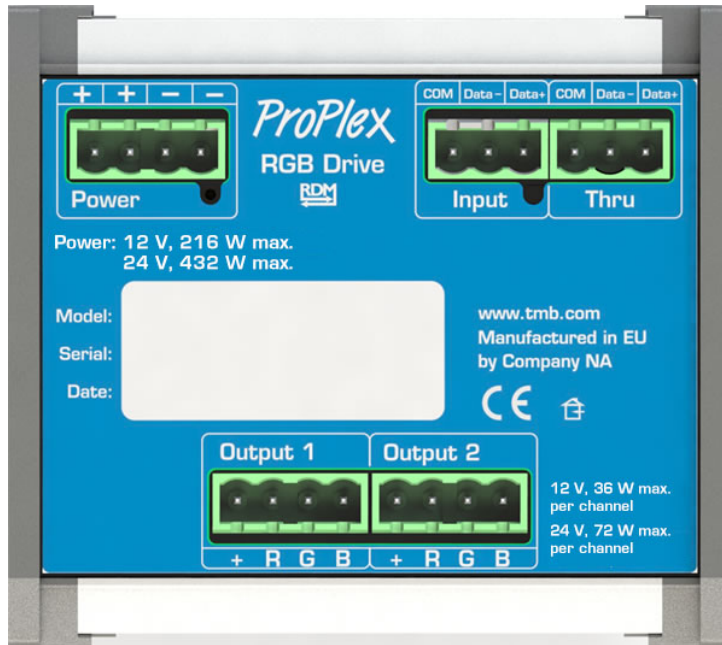


ProPlex RGB Drive DIN Rail

Quick Start Guide



TMB 24/7 Technical Support

US/Canada: +1 818.794.1286
Toll Free: 1 877.862.3833 (877.TMB.DUDE)
UK: +44 (0)20.8574.9739
Toll Free: 0800.652.5418
e-mail: techsupport@tmb.com

Innovative, Performance-Driven Show Technology Since 1983

tmb.com

Los Angeles

London

New York

Beijing

Toronto

+1 818-899-8818

+44 (0)20-8574-9700

+1 201-896-8600

+86 10-8492-1587

+1 519-538-0888



Setup

ProPlex DIN Rail devices use a standard Phoenix MSTB screw terminal connector in various pin configurations. Please refer to the wiring diagrams below for correct hook up of your ProPlex DIN Rail product.

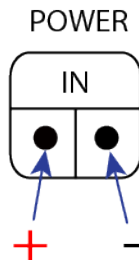


The ProPlex RGB Drive DIN Rail can operate at 12 or 24 VDC. The required voltage of the LED product to be used determines the required voltage of DC supplied to the RGB Drive. For example, when using Firefly FloppyFlex RGB LED Neon requiring 24V, a 24 VDC power supply must be used. When using 12V generic RGB LED tape, a 12 VDC power supply must be used.

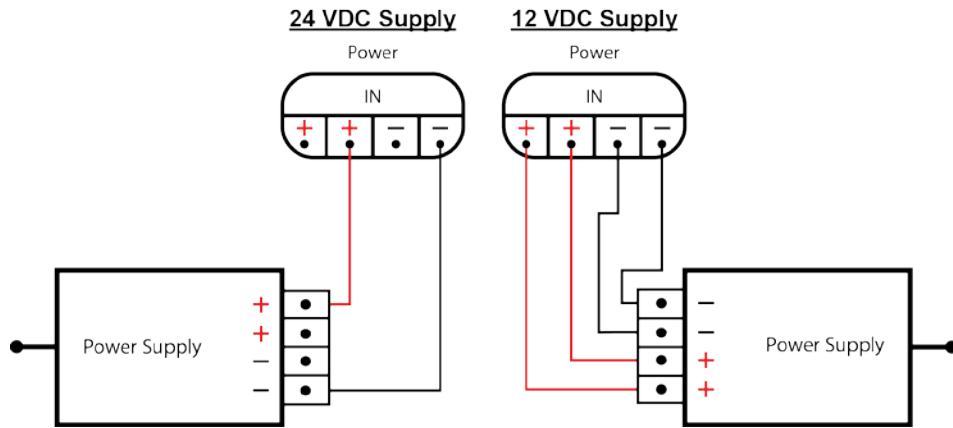
The RGB Drive DIN Rail is capable of driving a maximum of 36 Watts per channel at 12V, or 72 Watts per channel at 24V. Please check the power consumption of the product to be driven with the RGB Drive to confirm the maximum length that can be attached to the two outputs of three channels.

Addressing and mode selection is done via RDM protocol.

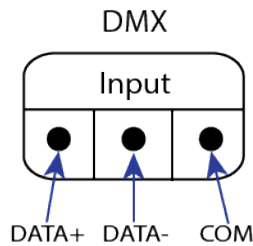
1. Connect the DC power (12/24V) to the power input located in the left top corner. The connector should be wired as follows:



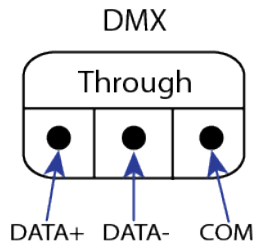
1.1. Because the RGB Drive DIN Rail is capable of over 8 amps of current consumption, it is imperative that the power supply power leads be doubled for each polarity when the supply is 12V to keep the current below 10 amps per conductor and per screw terminal. When using a 24V supply, only one conductor per polarity is required. See diagram below for correct connection of the DC power supply.



2. Connect the DMX signal input to the DMX input located in the right top corner of the unit. The connector should be wired as follows:

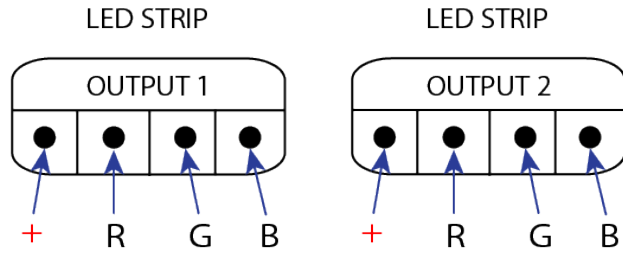


2.1 To pass DMX to another device, connect the DMX cable to the DMX Thru port located in the right top corner of the unit. The connector should be wired as follows:

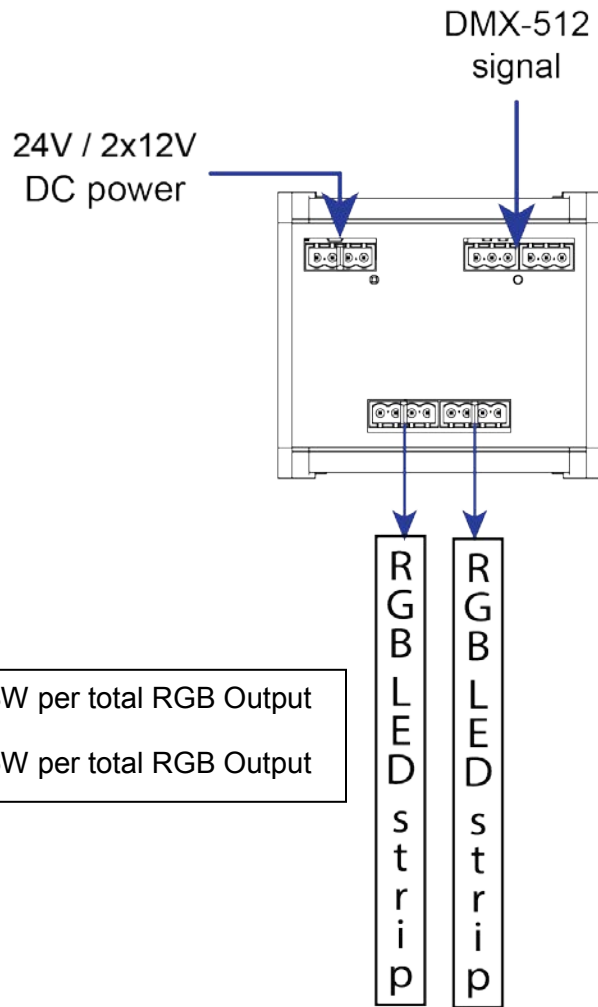


3. Connect the LED product to the LED strip outputs. Each output is three channels of *constant voltage*, 12/24V output. The maximum load when the RGB Drive is powered by 12 VDC, is *36 Watts per channel*. The maximum load when the RGB Drive is powered by 24 VDC, is *72W per channel*. **Please consult the manual of the product to be used to determine the overall loads.*

The connectors should be wired as follows:



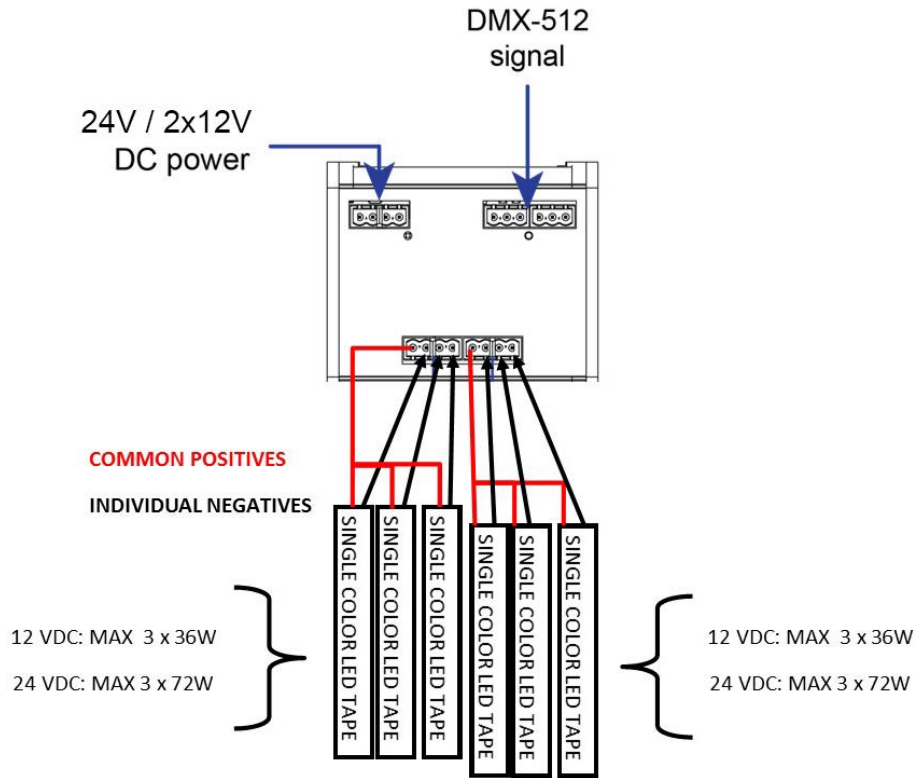
Connection Scheme for RGB Products



12 VDC: Max 108W per total RGB Output

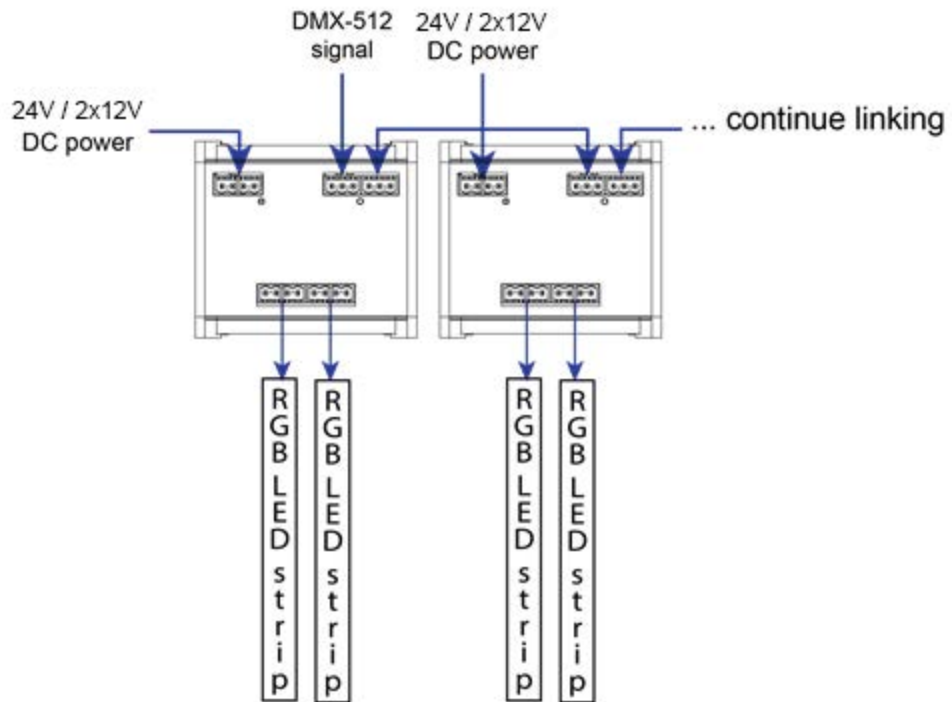
24 VDC: Max 216W per total RGB Output

Basic Scheme for Single Color LED Products

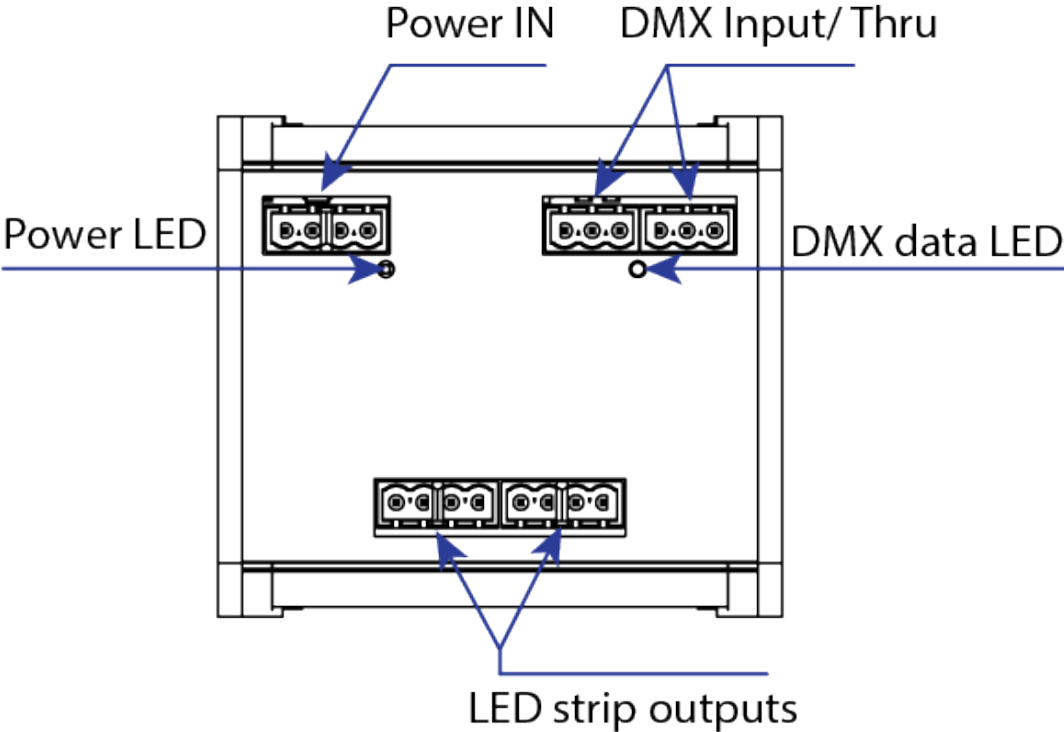
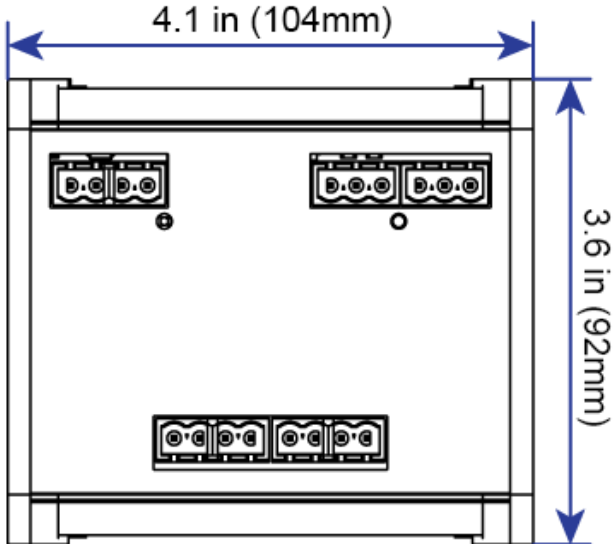


Connection scheme for DMX Thru-Port usage.

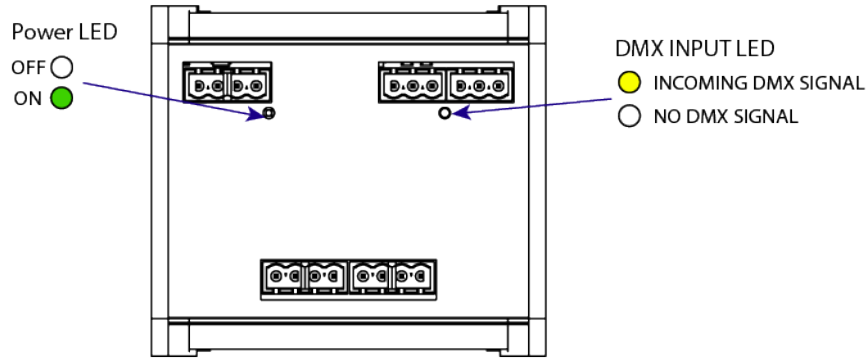
DMX Thru



Dimensions and Connections



LED Status Information



The Power LED has two states: ON and OFF.

- ON: Unit is receiving power
- OFF: Unit is not receiving power

The DMX input activity LED has two states: OFF and BLINKING YELLOW.

- OFF: There is no active incoming DMX signal.
- BLINKING YELLOW: There is an active incoming DMX signal.

DMX values for each LED strip output

Channel	Value	Function	Output Number
1	000 ↔ 255	RED intensity 0% - 100% (or Color 1)	1
2	000 ↔ 255	GREEN intensity 0% - 100% (or Color 2)	1
3	000 ↔ 255	BLUE intensity 0% - 100% (or Color 3)	1
4	000 ↔ 255	RED intensity 0% - 100% (or Color 4)	2
5	000 ↔ 255	GREEN intensity 0% - 100% (or Color 5)	2
6	000 ↔ 255	BLUE intensity 0% - 100% (or Color 3)	2

Note: The ProPlex RGB Drive DIN Rail controller is designed for “constant voltage” RGB or Monochromatic LED 12V or 24V products via DMX. Depending on the input power (12V or 24V), the maximum output power varies:

Maximum power at 12V: 36W per channel.

Maximum power at 24V: 72W per channel.

TMB 24/7 Technical Support

US/Canada: +1 818.794.1286

Toll Free: 1 877.862.3833 (877.TMB.DUDE)

UK: +44 (0)20.8574.9739

Toll Free: 0800.652.5418

e-mail: techsupport@tmb.com