



FLARE RZ Q+ Rayzr



World famous Flare features and performance in a razor-thin format!

Featuring Q+ Technology™

- Famous Flare brightness, colors, control
- Patent Pending Preset Yoke™ included! Innovative indexing function, adjustable in 15-degree increments
- Flexible mounting/joining options available for scenery, truss, pipe, and floor. Vertically hang coupled units up to 5m in total length!
- “Theatre” (effectively silent) and “Turbo” (super-bright) modes
- Available in 50 and 100cm lengths

All the Great Features of Flare

BRIGHT! World famous Flare brightness. Nothing Brighter!

SATURATED COLORS! Intense, deep reds and blues. Ultra-bright greens. Brilliant camera-friendly whites.

SMOOTH! Instantaneous RGBW color mixing with 1200Hz refresh rate – Smooth on-camera dimming

VERSATILE! Pixel-map feature divides into 2, 3, 4, 6, or 12 sections for ultimate control

FLEXIBLE! 36-degree beam angle optimized for most applications. 22, 54, & 70-degree available by special order.

SAVINGS! Simultaneous color wash, strobe, and blinder in ONE fixture – Saves labor, time, space, energy, and cost

Innovative, Performance-Driven Show Technology Since 1983

tmb.com

Los Angeles
+1 818-899-8818

London
+44 (0)20-8574-9700

New York
+1 201-896-8600

Beijing
+86 10-8492-1587

Toronto
+1 519-538-0888



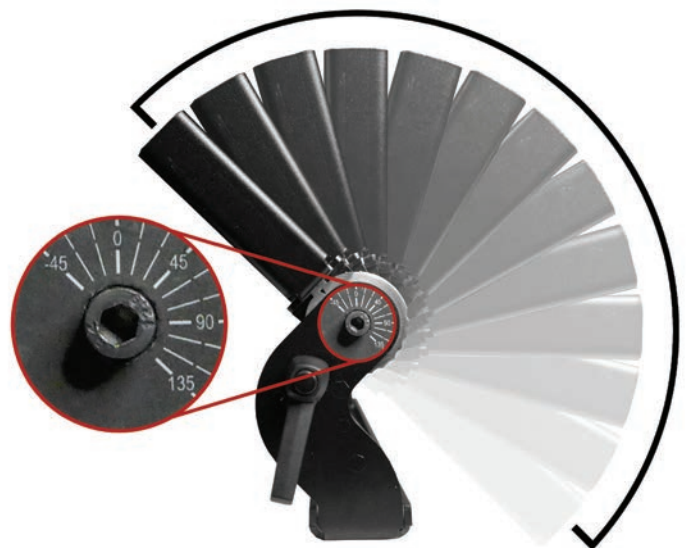
SPECIFICATIONS

	50 cm	100 cm
Light sources	18 CREE® LEDs (divided in to 6 pixels)	36 CREE® LEDs (divided in to 12 pixels)
Beam Spread	36°	
Colors	4- R, G, B, W	
Average color wavelength (manufacturer rated)	Red: 625 nm, Green: 530 nm, Blue: 460 nm, White: >5700K	
Refresh rate	1200 Hz	
Intensity control	16-bit or 8-bit	
Control	RDM, DMX-512, Demo, Manual Mode. Light output and fan controlling modes - Turbo (full output), Quiet (theatre mode), Compatible (matches regular Flare);	
AC power	100-277 VAC Universal Input, 50-60 Hz	
Fuse	2A 250V slow-blow (5x20mm)	4A 250V slow-blow (5x20mm)
Cooling	Air cooling + fan	
Operating temperature	-4 °F - +104 °F [-20 °C - +40 °C]	
DMX channels	3-32 depending on control mode	3-56 depending on control mode
DMX connectors	Input 5-pin XLR male, Thru 5-pin XLR female	
DMX pin configuration	pin 1 shield, pin 2 (data-), pin 3 (data+), pin 4 n/a, pin 5 n/a	
Max. power draw	200 W	400 W
Power Connectors	Input PowerCON 20A blue	
Fixing	Adjustable yoke	
Unit Dimensions (LxWxH)	498 x 41 x 201 mm	998 x 41 x 201 mm
Shipping Dimensions (LxWxH)	TBD	TBD
Unit Weight	TBD	TBD
Shipping weight	TBD	TBD

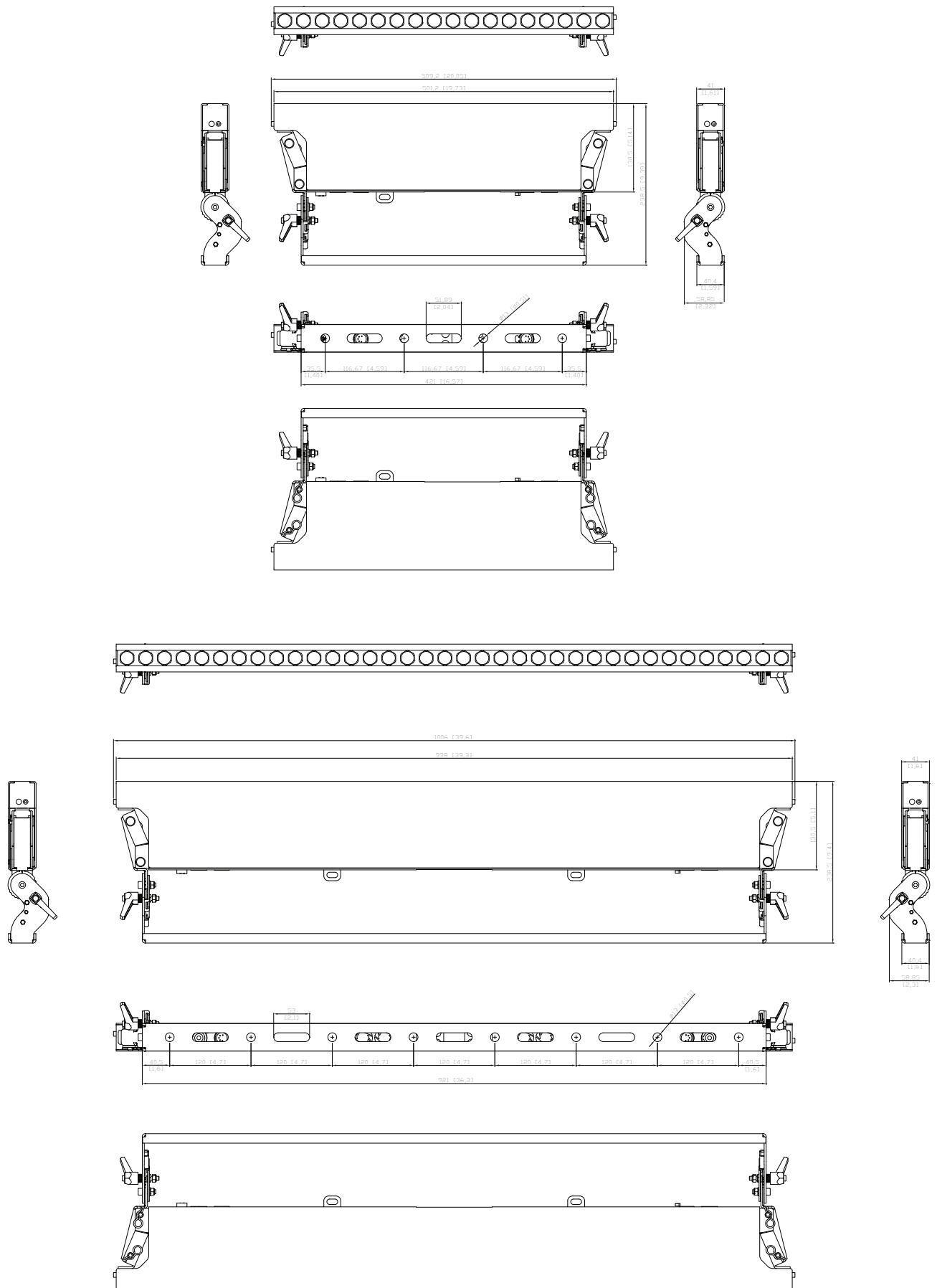
Specifications and features are subject to change without notice.

PreSet™ Yoke Included with fixture

Automatically snaps to 15° increments from -45° to +135°
Can also be manually set to any angle in between
Patent Pending

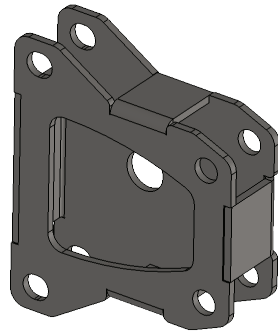
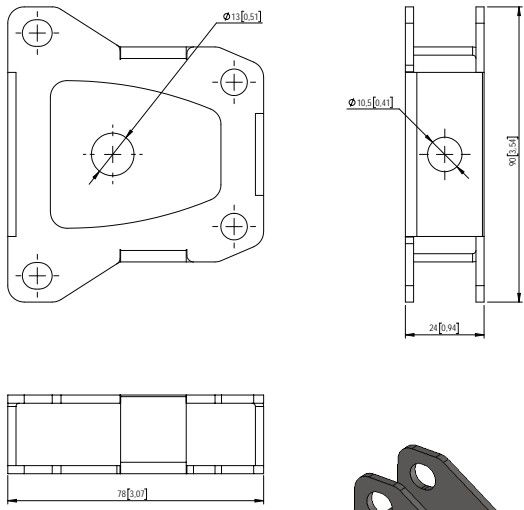


DIMENSIONS Dimensions in mm [Inch]



ACCESSORIES Dimensions in mm [Inch]

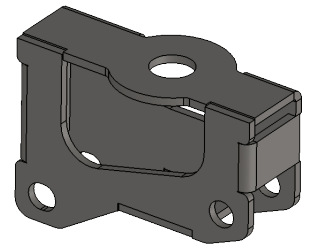
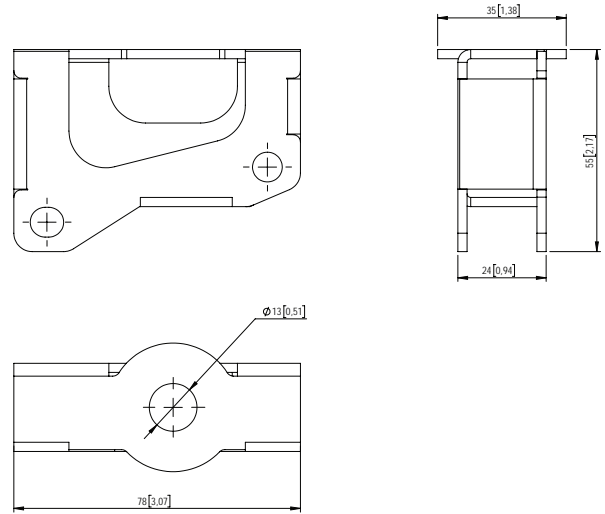
Rayzr Joining Adapter



Maximum vertical length for joined Rayzrs is 5 meters

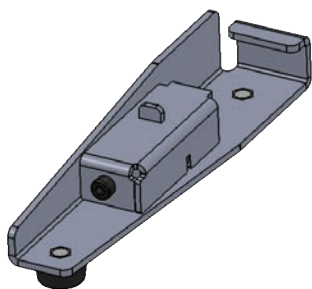
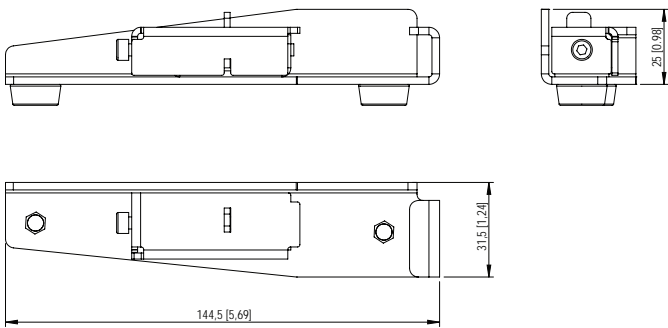
Unit Weight: 0.2 kg [0.44 lb]

Rayzr Hanging Adapter

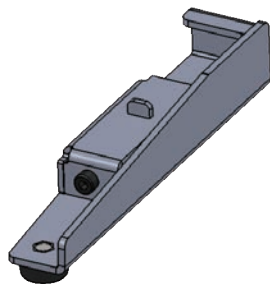


Unit Weight: 0.26 kg [0.57 lb]

Rayzr Attachable Feet



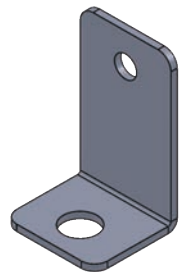
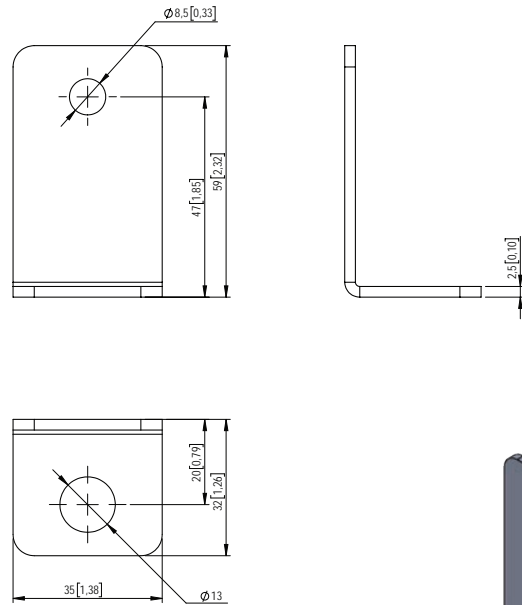
Left



Right

Unit Weight: 0.4 kg [0.88 lb.] per set

Rayzr Scenery Mount



Unit Weight: 0.05 kg [0.11 lb]