

Storm 5050



Weather the Storm with your projector intact! The STORM enclosure family is designed to protect small-format digital projectors and ellipsoidal spotlights in any weather, assuring optimal performance and long equipment life.

Storm 5050 is a short-bodied enclosure for smaller lighting instruments and projectors, with the same standard of fit and finish as the longer Storm 5000. Storm enclosures keep your projectors and lighting fixtures cool and dry – extending equipment life and maximizing lamp-replacement intervals. Storm is available with an internal tray for mounting digital projectors.

- | | |
|----------------------|--|
| Designed for: | Fixed beam (typically 19 thru 50°) ellipsoidal spotlights (ETC Source Four, Strand SL), or similar lighting instruments, up to 750W
Rosco X-Effect projectors |
| Enclosure: | Non-Corrosive fiberglass composite body
Coated steel and aluminum structure and hardware
Optically clear glass window |
| Mounting: | External – Coated Steel Yoke
Internal – Custom Yoke bracket/tray system (Coated Steel) |
| Finish: | Urethane coating, standard color; White, Beige, or Gray
Custom colors to special order |

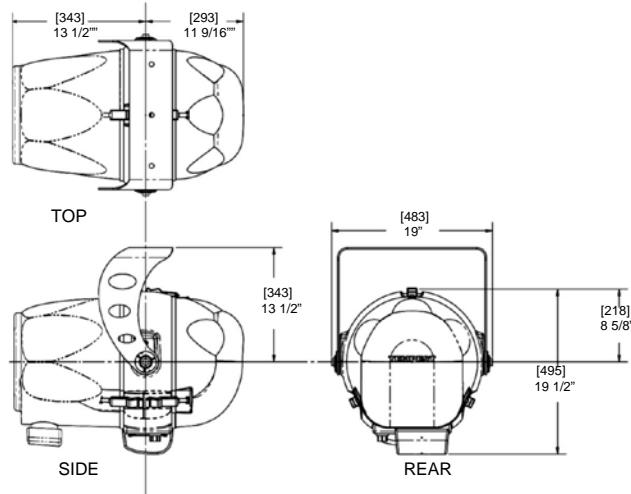
Cooling:

Forced air cooling provided by AC fan
Washable, replaceable open-cell foam filter on intake

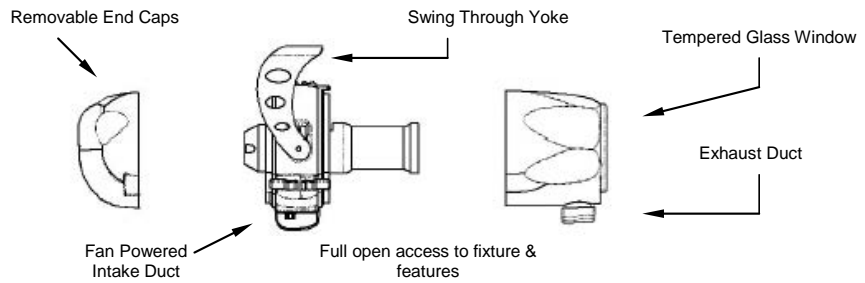
Electrical

Connections made in internal electrical box
Enclosure: 115VAC or 220/230 VAC, max 25W
Luminaire: 115VAC or 220/230 VAC 50/60Hz, 1000W max.

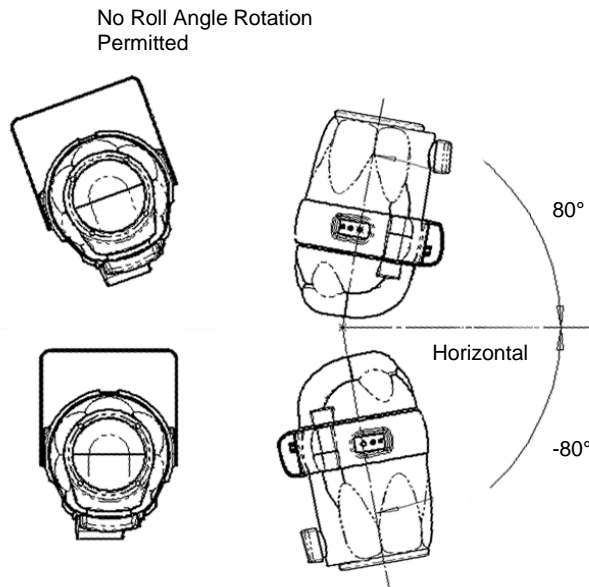
Dimensions:



Assembly:



Mounting Guide:



Weight

Empty enclosure weight - 38 lbs (17kg)

Shipping

Shipping Box 1: 24"x20"x20" (61 x 51 x 51cm),15lbs (6kg)

Shipping Box 2: 24"x20"x20" (61 x 51 x 51cm),15lbs (6kg)

Schedule B Export Code: 8536.30.0000

Specification

Unit shall be a Tempest Lighting catalog number 5050. Unit housing shall be non-corrosive fiberglass composite. Further, unit shall possess filtered forced-air ventilation, which will draw less than 25W of power from the luminaire circuit. Unit shall be ETL listed to U.L., standard 50 for wet locations and be a NEMA type 3R enclosure. Unit shall also have above ground connection ports. Unit shall have minimum 9" diameter projection window. Unit shall be identified as The Storm Enclosure, manufactured by Tempest Lighting, Inc., of North Hollywood, California, USA.

Approvals

ETL and cETL listed to UL Standard 508 (7/11/05), CE. NEMA Type 3R.



NEMA type 3R

This product is covered by US Patent Number 6,352,358.

In the interest of continuous product improvement, specifications are subject to change without notice



Production Supplies & Services Worldwide

tmb-info@tmb.com

LOS ANGELES

Tel: +1 818.899.8818

LONDON

Tel: +44 (0)20.8574.9700

NEW YORK

Tel: +1 201.896.8600

BEIJING

Tel: +86 10.8492.1587

TORONTO

Tel: +1 519.369.9990